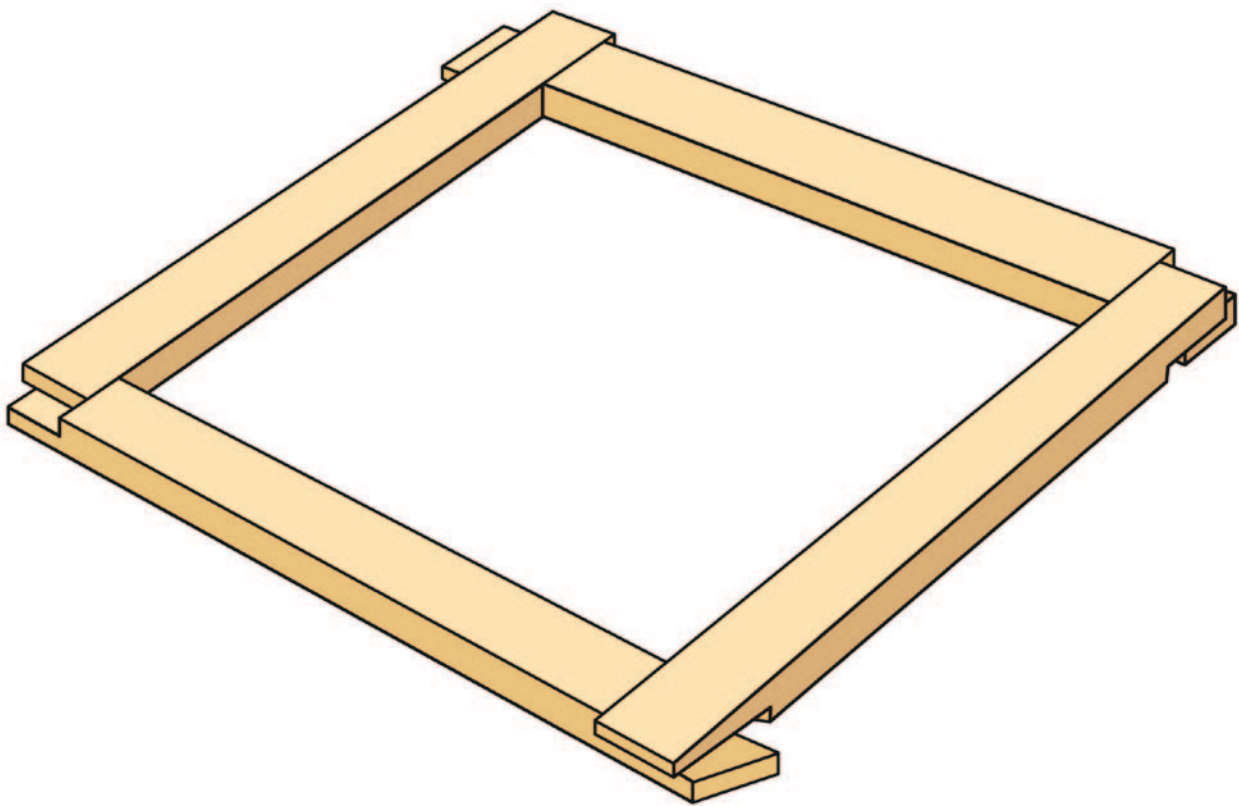




Measuring up

What has gone wrong here?

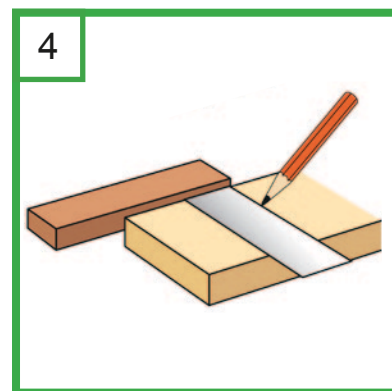
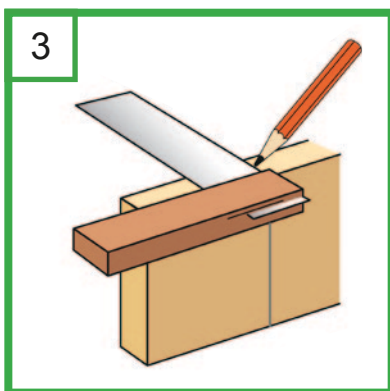
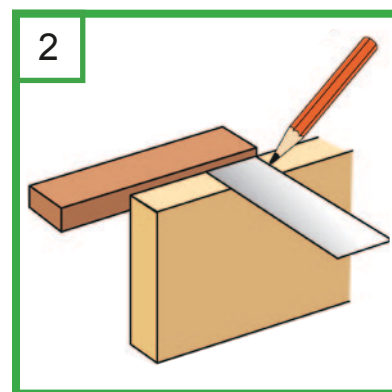
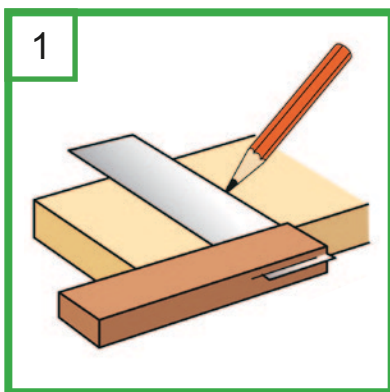




Activity 5: Marking up



These pictures show how to make the perfect corner joint.
What would you do next? Write your answer in the box.



What you would do next