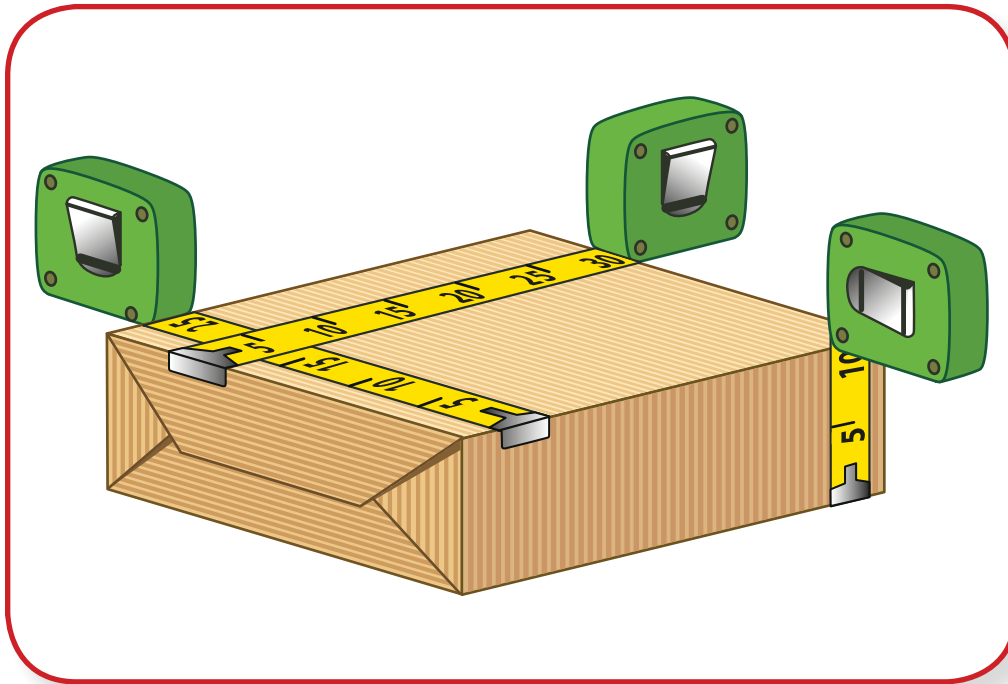


4: Gift wrapping

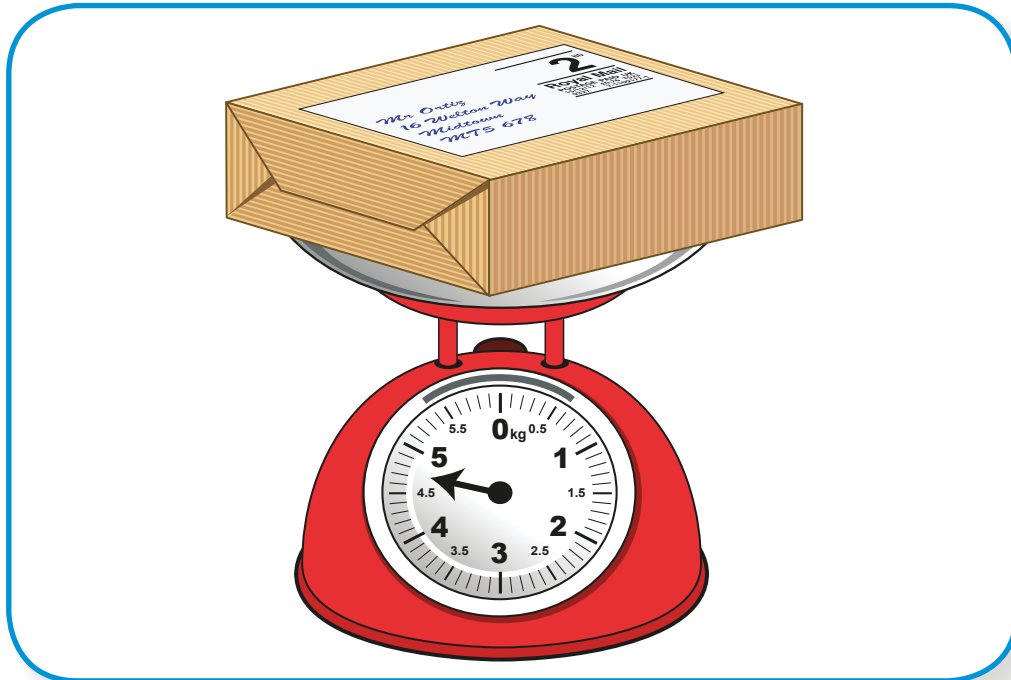
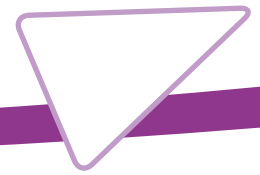
Amber works in the gift-wrapping department. She is wrapping a box.

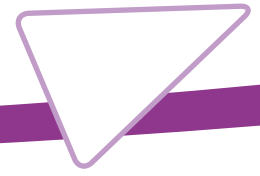


*Mr Ortiz
16 Welton Way
Midtown
MT5 678*

2ND

Royal Mail
POSTAGE PAID UK
15/12/12 £0.76 TS23
9327 7-1109177-1





Activity 4: Sending out a parcel



Can you help Amber to get this parcel ready for the post?

1 What is the length, width and height of the parcel?

2 How will you use this information to work out the surface area of the top of the parcel?

3 What is the surface area of the top of the parcel?

4 What is the length and width of the address label?

5 Will it fit on the top of the parcel?

6 How much does the parcel weigh?