

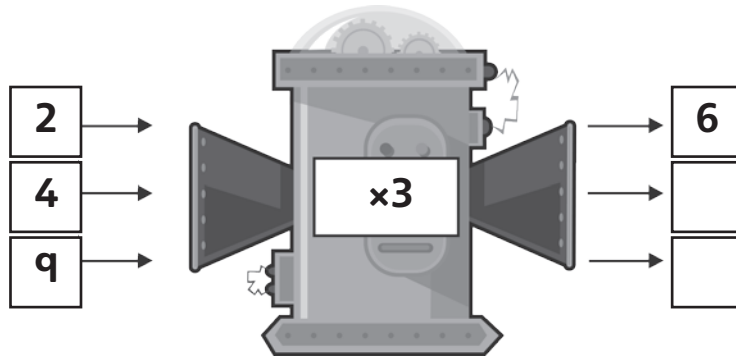
Name: _____

Class: _____ Date: _____

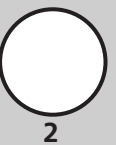
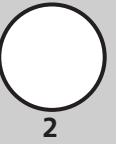
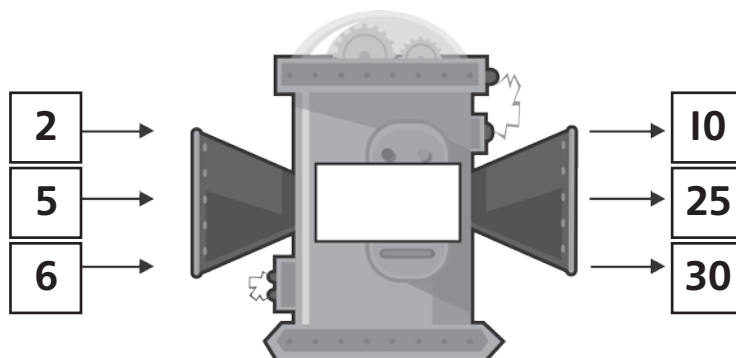
1 Write these fractions in order, **smallest** first.

$\frac{5}{8}$	$\frac{1}{8}$	$\frac{3}{8}$	$\frac{8}{8}$	<input style="width: 40px; height: 40px; border: 1px solid black;" type="text"/>	<input style="width: 40px; height: 40px; border: 1px solid black;" type="text"/>	<input style="width: 40px; height: 40px; border: 1px solid black;" type="text"/>	<input style="width: 40px; height: 40px; border: 1px solid black;" type="text"/>
$\frac{5}{8}$	$\frac{1}{8}$	$\frac{3}{8}$	$\frac{8}{8}$	<input style="width: 40px; height: 40px; border: 1px solid black;" type="text"/>	<input style="width: 40px; height: 40px; border: 1px solid black;" type="text"/>	<input style="width: 40px; height: 40px; border: 1px solid black;" type="text"/>	<input style="width: 40px; height: 40px; border: 1px solid black;" type="text"/>

2 a) Write the numbers that will come **out** of this function machine.



b) Write the **missing** function on this machine.

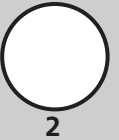


3

An adult dog weighs **4** times the mass of a puppy.
Write the **mass** of the adult dog.



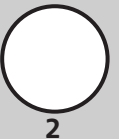
8 kg


 kg
**4**

$3 \times 40 = 120$. Write **two** different pairs of numbers with a **product** of 120.

a) \times = 120

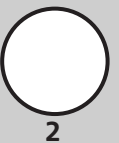
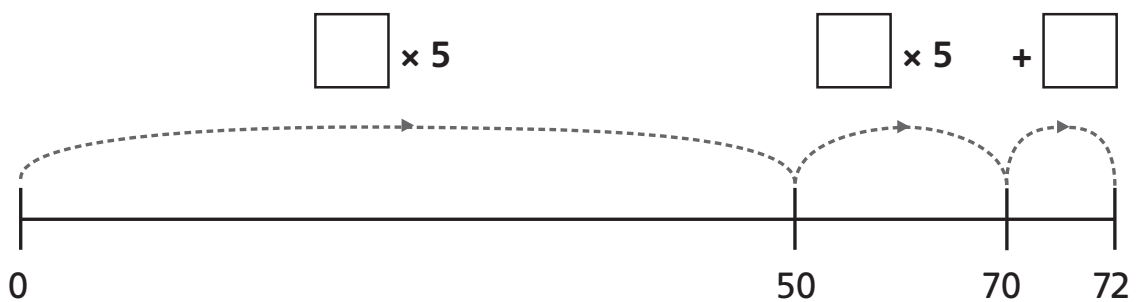
b) \times = 120

**5**

There are **72** bananas. They are sold in **bunches of 5**.

a) How many **bunches** can be sold?

b) How many **bananas** will be left over?

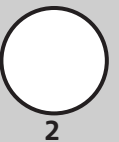
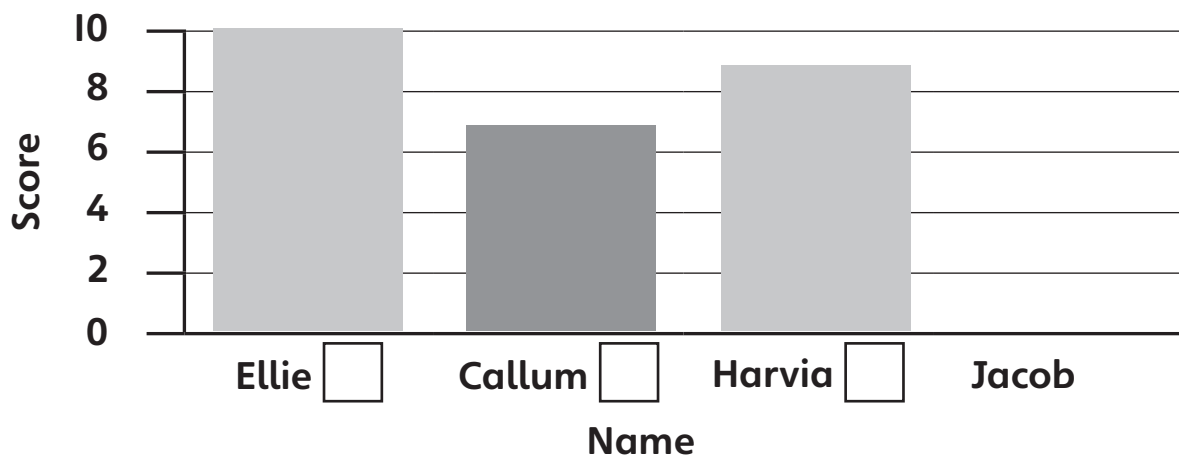


Here are four children's scores on a Maths test.

Child's name	Score
Ellie	5
Callum	7
Harvia	9
Jacob	8

a) Which **bars** on this graph have been drawn **correctly**?

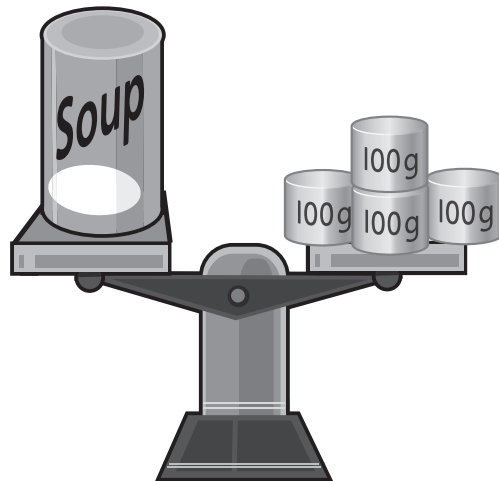
Put a tick (✓) next to the bars that are correct and a cross (✗) next to those that are not.



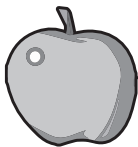
b) Draw a **bar** to show Jacob's score.

9

a) What is the mass of the can of soup? g



b) Circle the items below that you think are likely to weigh **less than** the can of soup.



For teacher use

Your mark	_____ out of 18
What went well	
How to improve	