

Please check the examination details below before entering your candidate information

Candidate surname

Other names

**Pearson Edexcel
International GCSE**

Centre Number

--	--	--	--	--

Candidate Number

--	--	--	--	--

Tuesday 7 January 2020

Morning (Time: 1 hour 30 minutes)

Paper Reference **4MB1/01R**

Mathematics B

Paper 1R



You must have: Ruler graduated in centimetres and millimetres, protractor, compasses, pen, HB pencil, eraser, calculator. Tracing paper may be used.

Total Marks

Instructions

- Use **black** ink or ball-point pen.
- **Fill in the boxes** at the top of this page with your name, centre number and candidate number.
- Answer **all** questions.
- Answer the questions in the spaces provided – *there may be more space than you need.*
- **Calculators may be used.**

Information

- The total mark for this paper is 100.
- The marks for **each** question are shown in brackets – *use this as a guide as to how much time to spend on each question.*

Advice

- Read each question carefully before you start to answer it.
- Check your answers if you have time at the end.
- Without sufficient working, correct answers may be awarded no marks.

Turn over ►

P60498A

©2020 Pearson Education Ltd.

1/1/1/



Pearson

Answer all TWENTY NINE questions.

Write your answers in the spaces provided.

You must write down all the stages in your working.

- 1 Express $7\frac{1}{2}$ minutes as a fraction of 24 hours.
Give your answer in its simplest form.

.....
(Total for Question 1 is 2 marks)

- 2 The n th term of a sequence is given by the expression $2n^2 - 5$
Find the first term of the sequence and the third term of the sequence.

First term =

Third term =

(Total for Question 2 is 2 marks)

- 3 Solve $\frac{1}{x} - \frac{1}{3} = \frac{1}{2}$

$x =$

(Total for Question 3 is 2 marks)

DO NOT WRITE IN THIS AREA

DO NOT WRITE IN THIS AREA

DO NOT WRITE IN THIS AREA



4 Factorise completely $2x^2 - 6xy + 5wx - 15wy$

.....
(Total for Question 4 is 2 marks)

5 The function g where $g:x \mapsto 16 - x^2$ is defined for all values of x .
Write down

(i) the maximum value of $g(x)$,

.....
(ii) the range of g .
.....

(Total for Question 5 is 2 marks)

6 Find the value of $\frac{2 \times 10^{-98}}{16 \times 10^{50}}$

Give your answer in standard form.

.....
(Total for Question 6 is 2 marks)



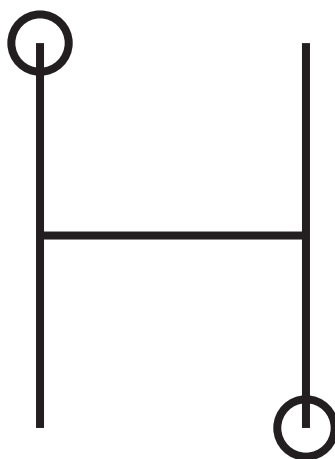
7 Given that $y = \frac{x^4}{4} - \frac{4}{x^4}$

find $\frac{dy}{dx}$

$$\frac{dy}{dx} = \dots\dots\dots$$

(Total for Question 7 is 2 marks)

8



Write down

(a) the number of lines of symmetry of the figure,

.....
(1)

(b) the order of rotational symmetry of the figure.

.....
(1)

(Total for Question 8 is 2 marks)



DO NOT WRITE IN THIS AREA

DO NOT WRITE IN THIS AREA

DO NOT WRITE IN THIS AREA

9 Find the range of values of x for which

$$x - 10 < 3x + 4 \leq 20 - 5x$$

.....
(Total for Question 9 is 3 marks)

10 A factory produces 2500 plates. There are large plates and small plates.

There are 800 large plates which have a mean weight of 600 grams.
The small plates have a mean weight of 450 grams.

Calculate the mean weight, in grams, of all 2500 plates.

..... grams

(Total for Question 10 is 3 marks)



11 Find, showing your working clearly,

- (i) the lowest common multiple (LCM) of 42, 54 and 66
- (ii) the highest common factor (HCF) of 42, 54 and 66

(i) LCM =

(ii) HCF =

(Total for Question 11 is 3 marks)

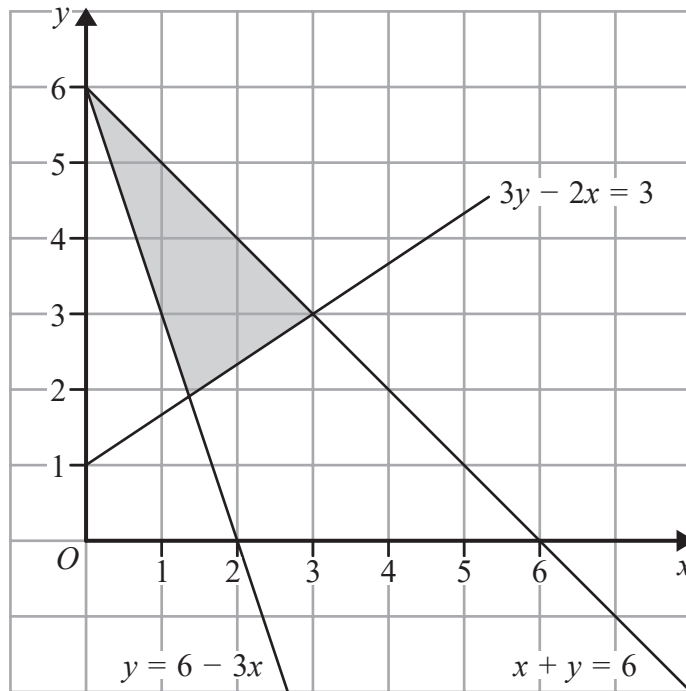
- 12 During a week, 500 trains will arrive at a station.
Each train will be late, on time or early.
The probability of a train arriving late is 0.85
The probability of a train arriving on time is 0.07

Calculate an estimate for the number of trains that will arrive early during the week.

(Total for Question 12 is 3 marks)



13



Write down the three inequalities that define the shaded region in the diagram.

.....

.....

.....

(Total for Question 13 is 3 marks)

14

$$P = \{ a, b, c, d \}$$

Write down all of the subsets of P that have 2 elements.

.....

(Total for Question 14 is 3 marks)



DO NOT WRITE IN THIS AREA

DO NOT WRITE IN THIS AREA

DO NOT WRITE IN THIS AREA

15 Simplify fully $\frac{x}{6}(7x - 3) - \frac{x}{3}(5x - 9)$

.....
(Total for Question 15 is 3 marks)

16 $ABCD$ is a rectangle with perimeter 28 m.

The length of AB is 8 m.

Calculate the length, in m, of the diagonal AC of the rectangle.

..... m
(Total for Question 16 is 3 marks)

DO NOT WRITE IN THIS AREA

DO NOT WRITE IN THIS AREA

DO NOT WRITE IN THIS AREA



17

DO NOT WRITE IN THIS AREA

DO NOT WRITE IN THIS AREA

DO NOT WRITE IN THIS AREA

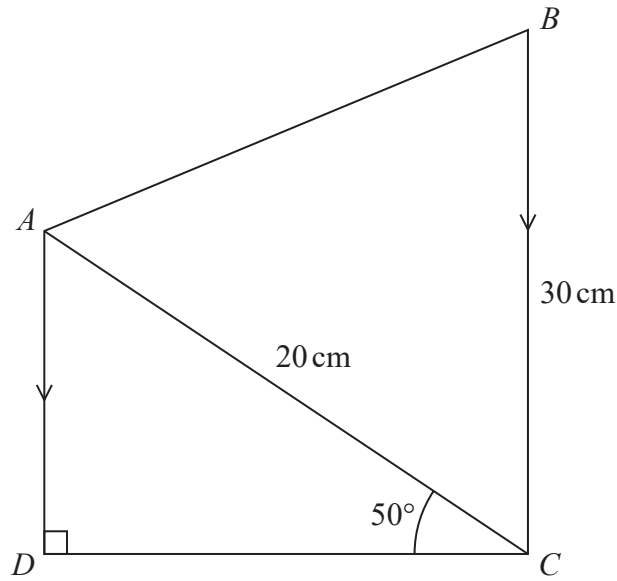


Diagram **NOT** accurately drawn

The diagram shows the trapezium $ABCD$ in which AD and BC are parallel.

$$AC = 20 \text{ cm} \quad BC = 30 \text{ cm} \quad \angle ACD = 50^\circ \quad \angle ADC = 90^\circ$$

Calculate the area, in cm^2 to 3 significant figures, of the trapezium $ABCD$.

..... cm^2

(Total for Question 17 is 3 marks)



18 Express $\frac{\sqrt{35} + 3\sqrt{5} - 2\sqrt{7} - 6}{\sqrt{5} - 2}$

in the form $m + \sqrt{n}$, where m and n are integers.
Show your working clearly.

DO NOT WRITE IN THIS AREA

DO NOT WRITE IN THIS AREA

DO NOT WRITE IN THIS AREA

(Total for Question 18 is 3 marks)



DO NOT WRITE IN THIS AREA

DO NOT WRITE IN THIS AREA

DO NOT WRITE IN THIS AREA

19 Given that 1 mile = 1.609 kilometres and 1 gallon = 4.546 litres,
change 35 miles per gallon into litres per 100 kilometres.
Give your answer correct to 3 significant figures.

..... litres per 100 kilometres

(Total for Question 19 is 4 marks)



20

$$\mathbf{A} = \begin{pmatrix} -2 & 3 \\ 5 & -7 \end{pmatrix}$$

(a) Find \mathbf{A}^2

$$\begin{pmatrix} & \\ & \end{pmatrix}$$

(2)

$$\mathbf{B} = \begin{pmatrix} -1 & 2 \\ -3 & 5 \\ 4 & -3 \end{pmatrix}$$

(b) Find \mathbf{BA}

$$\begin{pmatrix} & \\ & \end{pmatrix}$$

(2)

(Total for Question 20 is 4 marks)

DO NOT WRITE IN THIS AREA

DO NOT WRITE IN THIS AREA

DO NOT WRITE IN THIS AREA



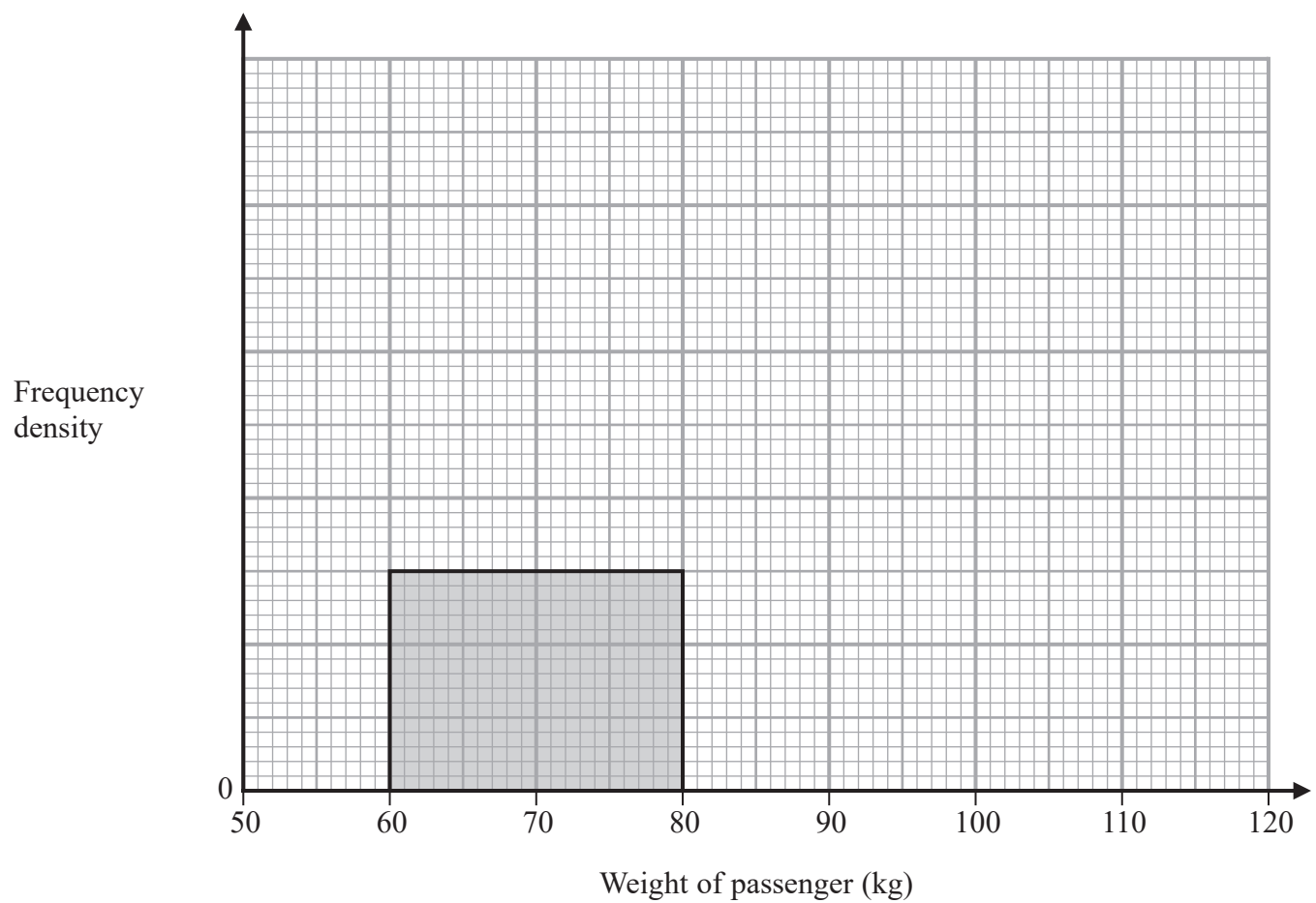
DO NOT WRITE IN THIS AREA

21 The weights of 710 passengers boarding buses at a bus station were recorded. The incomplete table and histogram give information about these passengers.

Weight of passenger (w kg)	Number of passengers
$50 \leq w < 60$	80
$60 \leq w < 80$	120
$80 \leq w < 95$	270
$95 \leq w < 115$	

(a) Complete the table. (1)

(b) Complete the histogram.



(3)

(Total for Question 21 is 4 marks)

DO NOT WRITE IN THIS AREA

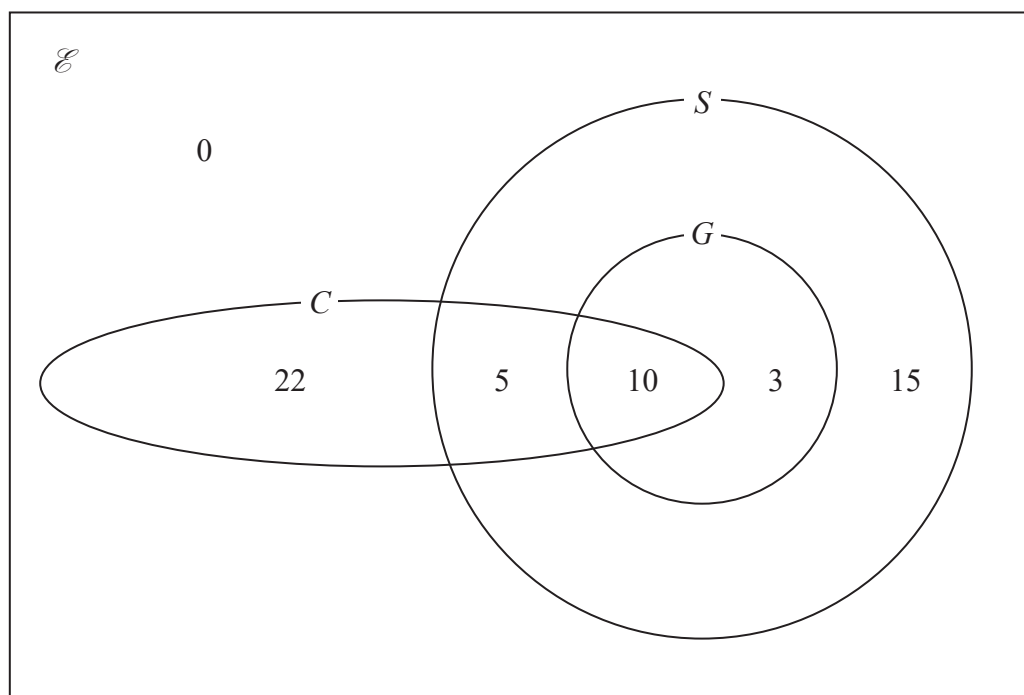
DO NOT WRITE IN THIS AREA



- 22 In a survey of 55 farmers who keep animals, the numbers of farmers who keep cattle (C), goats (G) and sheep (S) were recorded.

The Venn diagram shows information about the results of the survey.

The numbers shown in the Venn diagram are the **number** of farmers in the given subset of \mathcal{E} .



- (a) (i) Find $n(C \cap G \cap S)$

.....

- (ii) Describe the members of the subset $C \cap G \cap S$

.....
(2)

- (b) (i) Find $n(C' \cap G' \cap S)$

.....

- (ii) Describe the members of the subset $C' \cap G' \cap S$

.....
(2)

(Total for Question 22 is 4 marks)



DO NOT WRITE IN THIS AREA

DO NOT WRITE IN THIS AREA

DO NOT WRITE IN THIS AREA

23 A particle is dropped from rest and falls a distance of s metres in time t seconds.

In the first 4 seconds after it has been dropped, the particle falls a distance of 96 metres.

At time 5 seconds after it has been dropped, the particle is at the point A .

At time 6 seconds after it has been dropped, the particle is at the point B .

Given that s is directly proportional to the cube of t ,

calculate, in metres, the distance AB .

..... m

(Total for Question 23 is 4 marks)



24 The scale of a map is 1 : 40 000
The actual area of a field is 2.4 km^2

(a) Calculate the area, in cm^2 , of the field on the map.

..... cm^2
(3)

Given that n is an integer, the scale of another map is 1 : n
The length of a road shown on this map is 8 cm.
The actual length of this road is 2 km.

(b) Find the value of n .

$n =$
(2)

(Total for Question 24 is 5 marks)



DO NOT WRITE IN THIS AREA

DO NOT WRITE IN THIS AREA

DO NOT WRITE IN THIS AREA

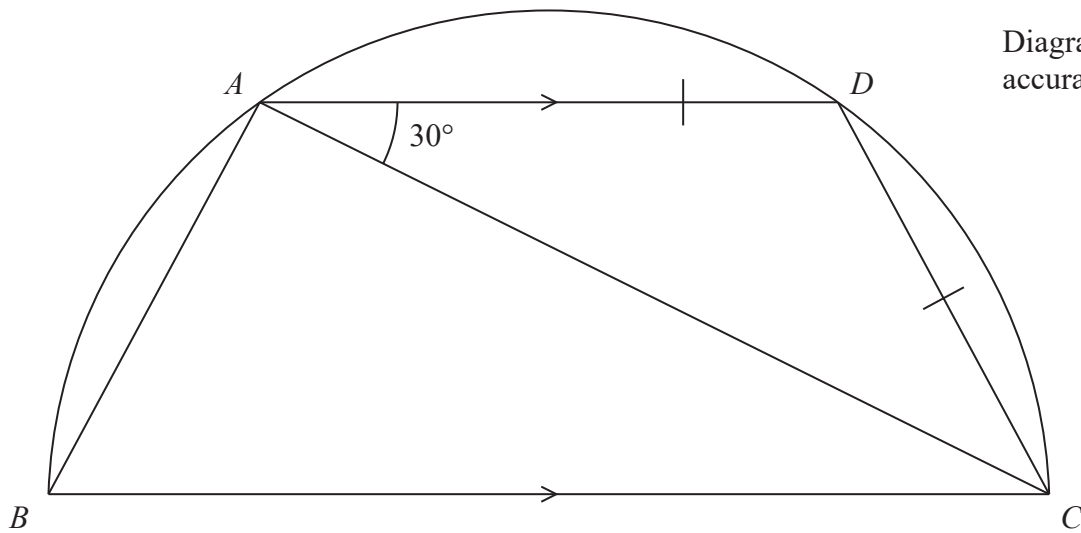
25 Given that $w = \sqrt{\frac{x - y - 3w^2}{5x + y - 1}}$

express x in terms of y and w .
Give your answer as a single fraction.

$x = \dots\dots\dots$

(Total for Question 25 is 5 marks)



Diagram NOT
accurately drawn

The diagram shows part of a circle through the points A , B , C and D .

AD is parallel to BC , $AD = DC$ and $\angle CAD = 30^\circ$

Giving your reasons, prove that BC is a diameter of the circle.

(Total for Question 26 is 5 marks)

DO NOT WRITE IN THIS AREA

DO NOT WRITE IN THIS AREA

DO NOT WRITE IN THIS AREA



DO NOT WRITE IN THIS AREA

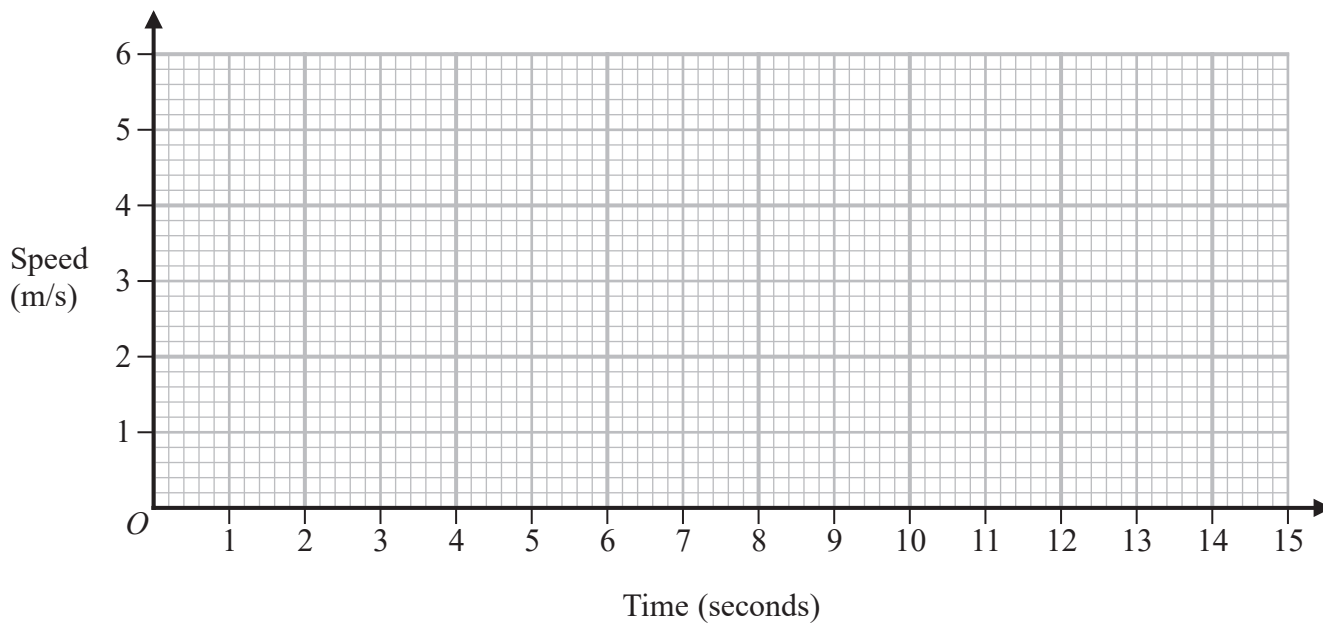
DO NOT WRITE IN THIS AREA

DO NOT WRITE IN THIS AREA

27 At time $t = 0$ seconds, a cyclist passed the point P on a straight horizontal road. The cyclist was moving with a constant speed of 5 m/s . The cyclist travelled a distance of 35 m at this speed to the point Q on the road.

On reaching Q , the cyclist decelerated at a constant rate, coming to rest at the point R on the road such that PQR is a straight line and $QR = 10 \text{ m}$.

Represent, on the grid, the information for the journey of the cyclist from P to R as a speed-time graph.



(Total for Question 27 is 5 marks)



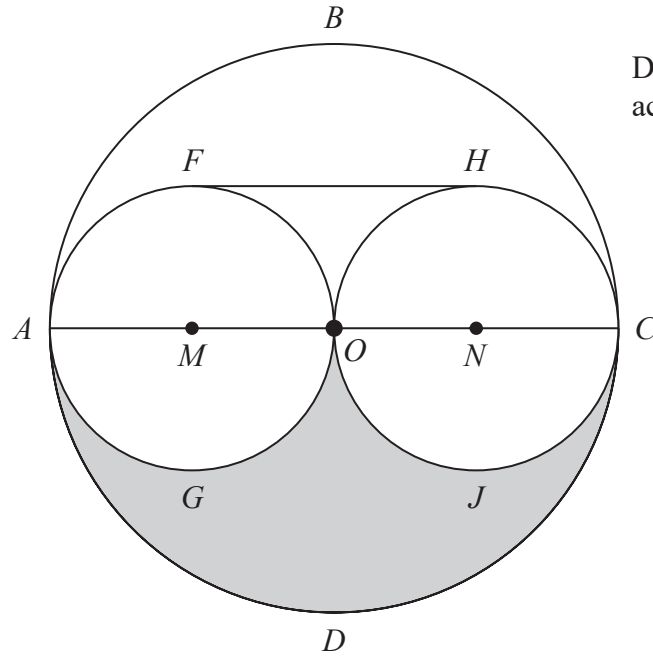


Diagram **NOT** accurately drawn

The diagram shows circle $ABCD$ with centre O , diameter $AMONC$ and radius r .

The diagram also shows circle $AFOG$, with centre M , and circle $OH CJ$, with centre N .

- (a) Find and simplify an expression, in terms of r and π , for the perimeter of the shaded region in the diagram.

.....
(3)

DO NOT WRITE IN THIS AREA

DO NOT WRITE IN THIS AREA

DO NOT WRITE IN THIS AREA



The line FH is the tangent to the circle $AFOG$ at the point F .
The line FH is also the tangent to the circle $OHCJ$ at the point H .

The point P on circle $ABCD$ is such that $OF P$ is a straight line.
The point Q on circle $ABCD$ is such that OHQ is a straight line.

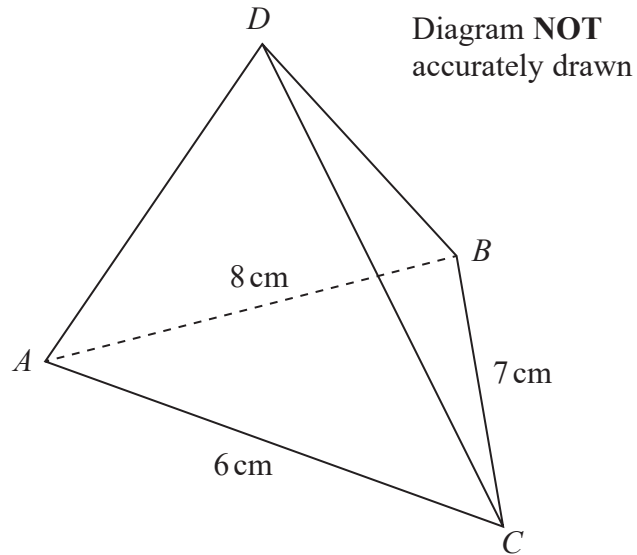
The region $FPBQH$ inside circle $ABCD$ is bounded by the straight line FP , the arc PBQ of circle $ABCD$ and the two straight lines QH and HF .

(b) Find and simplify an expression, in terms of r and π , for the area of $FPBQH$.

.....
(4)

(Total for Question 28 is 7 marks)





The diagram shows a pyramid $ABCD$ with a horizontal triangular base ABC . The face ADB of the pyramid is perpendicular to the base ABC . In $\triangle ABC$, $AB = 8$ cm, $BC = 7$ cm and $CA = 6$ cm.

- (a) Calculate the size, in degrees to 3 significant figures, of $\angle ACB$.

$$\angle ACB = \dots\dots\dots^\circ$$

(3)



DO NOT WRITE IN THIS AREA

DO NOT WRITE IN THIS AREA

DO NOT WRITE IN THIS AREA

In $\triangle ADB$, $AD = DB$ and $\angle ADB = 50^\circ$

(b) Calculate the volume, in cm^3 to 3 significant figures, of the pyramid $ABCD$.

..... cm^3
(4)

(Total for Question 29 is 7 marks)

TOTAL FOR PAPER IS 100 MARKS



DO NOT WRITE IN THIS AREA

DO NOT WRITE IN THIS AREA

DO NOT WRITE IN THIS AREA

BLANK PAGE

