

Leave blank

Answer ALL questions

1. A college uses an information system that holds large amounts of data about students and staff.

(a) *Validation* and *verification* are carried out on the data.

(i) Describe the validation process.

.....
.....
(2)

(ii) Describe the verification process.

.....
.....
(2)

(b) Describe **two** measures that could be taken to protect the data against deliberate theft or corruption.

(i)

(ii)
(2)

(c) Describe **two** measures that could be taken to protect the data against accidental loss.

(i)

(ii)
(2)

(Total 8 marks)

Q1



2. Shops often use computerised systems to add up sales, produce receipts and control the level of stock. When goods are purchased they are taken to the checkout or point of sale (POS) terminal.

(a) A bar code scanner is part of a point of sale terminal. List **three** other devices that belong to a point of sale terminal.

- (i)
- (ii)
- (iii) **(3)**

(b) Some goods have bar codes similar to this.



State **two** items of data encoded in a bar code.

- (i)
- (ii) **(2)**

(c) Point of sale systems have brought advantages to shops and customers.

(i) State **one** advantage for the customer.

.....
..... **(1)**

(ii) State **two** advantages for shops.

Advantage 1

.....

Advantage 2

..... **(2)**

(Total 8 marks)

Q2



3. Serina is organising a disco to raise money. She wishes to know the minimum number of tickets that must be sold to make a profit of \$120.

Serina has created this spreadsheet to help her.

	A	B	C	D	E	F	G
1	No. of tickets sold	Selling price (\$)	Total sales (\$)	Cost of disco (\$)	Cost of printing (\$)	Total cost (\$)	Profit (\$)
2	0	5.00	0.00	60.00	0.00	60.00	-60.00
3	10	5.00	50.00	60.00	5.00	65.00	-15.00
4	20	5.00	100.00	60.00	10.00	70.00	30.00
5	30	5.00	150.00	60.00	15.00	75.00	75.00
6	40	5.00	200.00	60.00	20.00	80.00	120.00
7	50	5.00	250.00	60.00	25.00	85.00	165.00

- (a) Choose words from the list to complete the sentences.

number
text
spreadsheet
formula
model

(i) In the spreadsheet, CELL C1 contains

(ii) In the spreadsheet, CELL B7 contains a

(iii) In the spreadsheet, CELL C3 contains a

(3)

- (b) State how many tickets Serina must sell to make a profit of \$120.

.....

(1)



Leave
blank

(c) Serina used a formula to work out the total cost in column F.

Select from the following formulae the one that could be used to calculate the total cost of 10 tickets.

- 1 $D3 + E3$
- 2 $E2 * D2$
- 3 $D3 * E3$

.....
(1)

(d) Serina changes the selling price in column B to \$7.00.

Give two other columns which would change as a result.

.....
.....
(2)

(Total 7 marks)

Q3



Leave blank

4. *Homes International* is a magazine that advertises houses for sale around the world. Agents travel to locations and e-mail photographs to the head office in London.

(a) Name a suitable input device for the agents to use.

Give **two** reasons for your choice.

Name (1)

Reason 1

Reason 2 (2)

(b) The agents are asked to compress photograph files before e-mailing them.

Give **two** reasons why these files should be compressed.

Reason 1 (2)

Reason 2 (2)

(c) The agents need to make backups of their photographs.

(i) Name **one** suitable storage device for this purpose.

..... (1)

(ii) State **one** feature that makes it suitable.

..... (1)

(iii) Explain why backups are necessary.

..... (2)

(Total 11 marks)

Q4



Leave
blank

5. Several schools and colleges are considering the use of video conferencing.

(a) Explain the term video conferencing.

.....
.....
.....

(3)

(b) The schools and colleges already have networks consisting of linked computers but have no video conferencing facilities.

Give **three** additional items of hardware needed for video conferencing.

(i)

(ii)

(iii)

(3)

Q5

(Total 6 marks)



Leave blank

6. Computers can be used to collect data from experiments.

(a) Give **three** reasons why computers are used for this purpose.

(i)

.....

(ii)

.....

(iii)

.....

(3)

(b) Give **one** example of data logging.

.....

(1)

(c) Describe how information technology could be used to display, in a printed format, an analysis of the data logging.

.....

.....

.....

.....

(4)

(d) State, with a reason, a suitable type of printer for printing the analysis.

Printer

Reason

(2)

Q6

(Total 10 marks)



Leave
blank

7. One of the roles of the central processing unit (CPU) is to perform arithmetic operations. An example of an arithmetic operation is adding ONE to a counter. State **three** other roles of the CPU and in each case give an example.

Role 1

Example (2)

Role 2

Example (2)

Role 3

Example (2)

(Total 6 marks)

Q7



Leave blank

8. RAM and ROM are two types of memory in a computer.

(a) (i) Explain what happens to the contents of RAM when the computer is switched off.

.....
(1)

(ii) Explain what happens to the contents of ROM when the computer is switched off.

.....
(1)

(iii) State two uses of RAM.

Use 1

Use 2

(2)

(b) State **two** different types of backing store used by computers.

(i)

(ii)

(2)

(c) 1 kilobyte = 1024 bytes and 1 megabyte = 1024 kilobytes. Explain why this is so.

.....

.....

(2)

Q8

(Total 8 marks)



Leave blank

9. An operating system is a program that controls the hardware. State **four** tasks an operating system performs and give an example of each task.

Task 1

Example

.....

(2)

Task 2

Example

.....

(2)

Task 3

Example

.....

(2)

Task 4

Example

.....

(2)

(Total 8 marks)

Q9



10. A college uses a local area network (LAN).

(a) State **three** advantages of the LAN over several stand-alone PCs.

(i)

(ii)

(iii)

(3)

A plan of the network is shown.

(b) Clearly label the server in the network.

(1)

(c) The line labelled X is a fibre optic cable. The line labelled Y is a copper wire cable.

Explain why these cables are different.

.....

.....

(2)

(d) Explain why the college uses a star network rather than a bus network.

.....

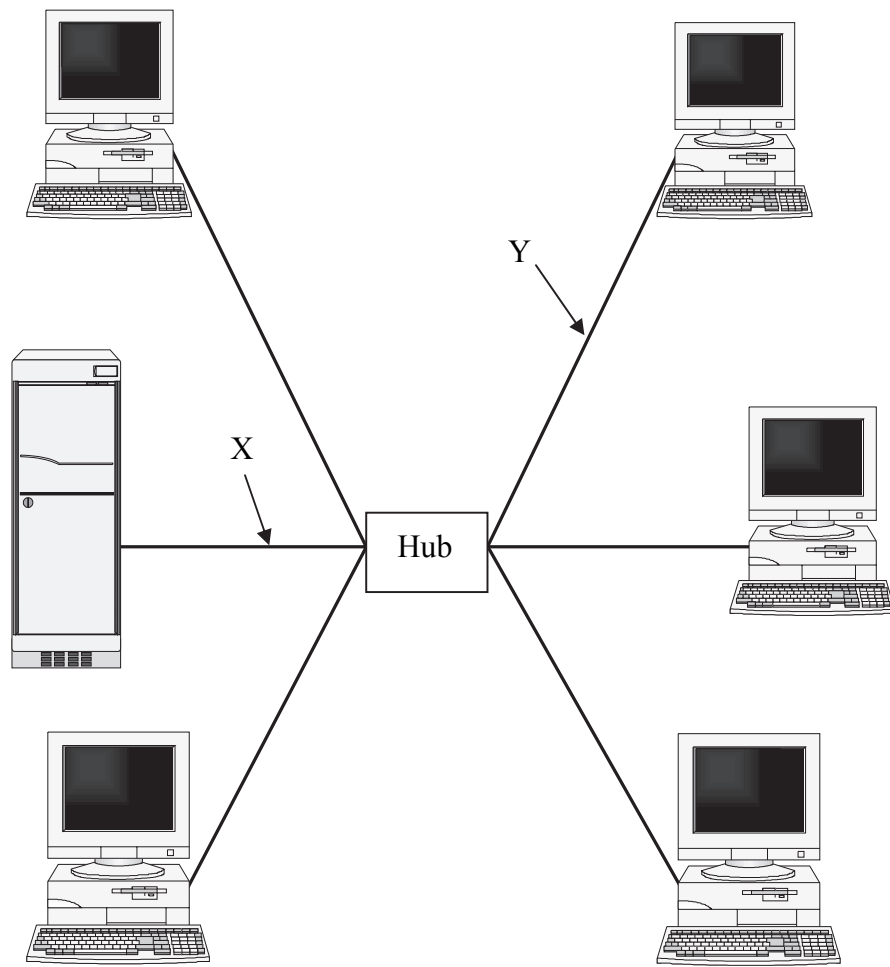
.....

.....

(2)



Leave blank



(Total 8 marks)

Q10



N 2 2 1 2 8 A 0 1 3 1 6

Leave
blank

11. The Internet makes extensive use of linked networks.

(a) State **two** hardware devices that enable networks to be linked.

.....

.....

(2)

(b) E-mail is an Internet service that is sometimes affected by anti-social activities.

(i) Describe one of these activities.

.....

.....

(2)

(ii) Describe how the effects of this activity can be reduced.

.....

.....

(2)

(Total 6 marks)

Q11



Leave
blank

12. The introduction of computer terminals and personal computers has been associated with a number of physical health hazards.

(a) State **three** health hazards that have been associated with prolonged use of computers.

(i)

(ii)

(iii)

(3)

(b) Describe **five** actions which may be taken to reduce the effects of these health hazards.

Action 1

Action 2

Action 3

Action 4

Action 5

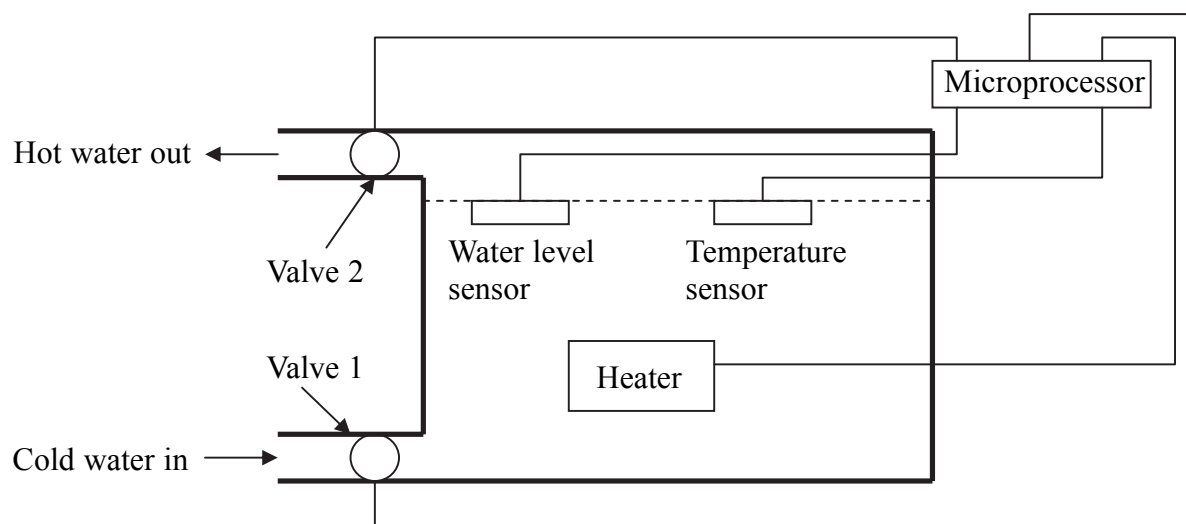
(5)

Q12

(Total 8 marks)



13. The heating of water in a tank is under the control of a microprocessor. Cold water enters the tank through Valve 1. It is heated to a set temperature and leaves the tank through Valve 2.



(a) (i) State the purpose of feedback in a control circuit.

..... (1)

(ii) Identify the **two** areas where feedback is used in this application.

Area 1 (1)

Area 2 (1)

(b) (i) An analogue to digital converter has been omitted from the diagram. Draw a box to indicate where it could be placed. (2)

(ii) Give a reason for using an analogue to digital converter.

..... (1)

Q13

(Total 6 marks)

TOTAL FOR PAPER: 100 MARKS

END

