

Please check the examination details below before entering your candidate information

Candidate surname

Other names

Centre Number

Candidate Number

--	--	--	--	--

--	--	--	--

## Pearson Edexcel Award

Time 1 hour

Paper  
reference

**ANM20/2A**

### Number and Measure

Level 2

Section A (Calculator)

**You must have:**

Ruler graduated in centimetres and millimetres, protractor, pen, HB pencil, eraser, calculator.

Total Marks

### Instructions

- Use **black** ink or ball-point pen.
- **Fill in the boxes** at the top of this page with your name, centre number and candidate number.
- Answer **all** questions.
- Answer the questions in the spaces provided – *there may be more space than you need.*
- **Calculators may be used.**
- If your calculator does not have a  $\pi$  button, take the value of  $\pi$  to be 3.142 unless the question instructs otherwise.



### Information

- The total mark for this paper is 50
- The marks for **each** question are shown in brackets – *use this as a guide as to how much time to spend on each question.*

### Advice

- Read each question carefully before you start to answer it.
- Try to answer every question.
- Check your answers if you have time at the end.

Turn over ►

P66322A

©2022 Pearson Education Ltd.

Q:1/1/1/



  
Pearson

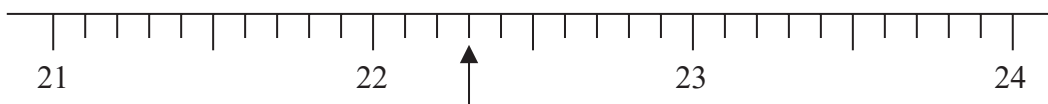
Section A

Answer ALL questions.

Write your answers in the spaces provided.

You must write down all the stages in your working.

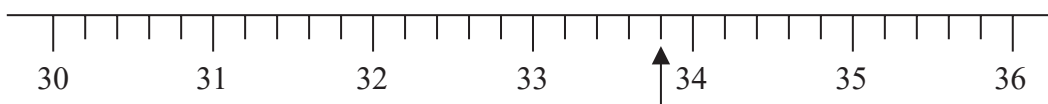
1 (a)



Write down the number marked with the arrow.

.....  
(1)

(b)



Write down the number marked with the arrow.

.....  
(1)

(Total for Question 1 is 2 marks)

2 (a) Work out  $12 \div -4$

.....  
(1)

(b) Work out  $-7 - -9$

.....  
(1)

(c) Work out  $-8 + -4$

.....  
(1)

(Total for Question 2 is 3 marks)



3 (a) Find the value of  $\sqrt{576}$

.....  
(1)

(b) Find the value of  $13^3$

.....  
(1)

(c) Work out the value of  $2^5 \times 4^2$

.....  
(2)

**(Total for Question 3 is 4 marks)**

4 Change 5971 Icelandic krona into pounds (£) using an exchange rate of  
£1 = 140 Icelandic krona.

£.....

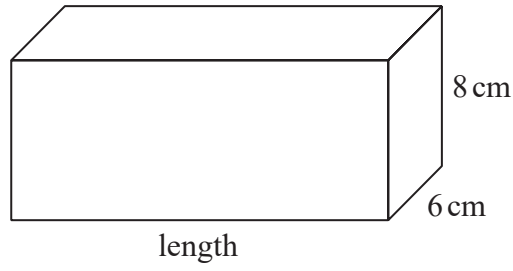
**(Total for Question 4 is 2 marks)**

5 Work out 21% of 4200

.....  
**(Total for Question 5 is 2 marks)**



6

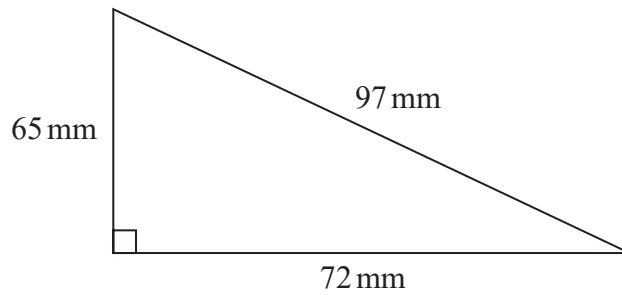


The volume of this cuboid is  $720 \text{ cm}^3$ .

Work out the length of the cuboid.

.....  
**(Total for Question 6 is 3 marks)**

7



Work out the perimeter of this triangle.

..... mm  
**(Total for Question 7 is 2 marks)**

DO NOT WRITE IN THIS AREA

DO NOT WRITE IN THIS AREA

DO NOT WRITE IN THIS AREA



8 Work out  $42.41 \times 7.9$

.....

**(Total for Question 8 is 1 mark)**

9 Sean works for a company selling car insurance.

He gets paid £18.50 for each hour he works.

He also gets paid £30.50 for each car he insures.

One week, Sean works for 28 hours and insures 16 cars.

He pays £190 tax on what he earns for the week.

Work out Sean's total pay after the deduction of tax.

£.....

**(Total for Question 9 is 4 marks)**

10 Change 88 kg into pounds.  
(1 kg = 2.2 pounds)

.....pounds

**(Total for Question 10 is 2 marks)**



11 Work out  $5\frac{1}{2} \div 2\frac{1}{5}$

.....  
(Total for Question 11 is 2 marks)

12 Find the Lowest Common Multiple (LCM) of 25 and 80

.....  
(Total for Question 12 is 3 marks)

13 John invests £4000 for 3 years in an account paying simple interest at a rate of 1.5% per year.  
Work out the total amount of simple interest paid to John by the end of the 3 years.

£.....

(Total for Question 13 is 3 marks)

DO NOT WRITE IN THIS AREA

DO NOT WRITE IN THIS AREA

DO NOT WRITE IN THIS AREA

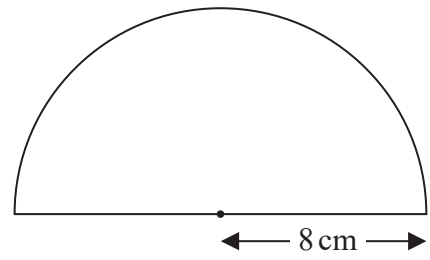


DO NOT WRITE IN THIS AREA

DO NOT WRITE IN THIS AREA

DO NOT WRITE IN THIS AREA

14 A semicircle has a radius of 8 cm.  
Work out the perimeter of the semicircle.



.....cm

(Total for Question 14 is 3 marks)

15 In 2019, Sameena was paid a salary of £20600  
In 2020, Sameena was paid a salary of £23896  
What is the percentage increase in the salary paid to Sameena?

.....%

(Total for Question 15 is 3 marks)



16 Tina is investigating the number of damaged apples in each of 30 boxes of apples.

The table gives information about her results.

Number of damaged apples	Number of boxes
2	16
3	8
4	5
5	1

Work out the total number of damaged apples in the 30 boxes.

.....  
(Total for Question 16 is 3 marks)

DO NOT WRITE IN THIS AREA

DO NOT WRITE IN THIS AREA

DO NOT WRITE IN THIS AREA



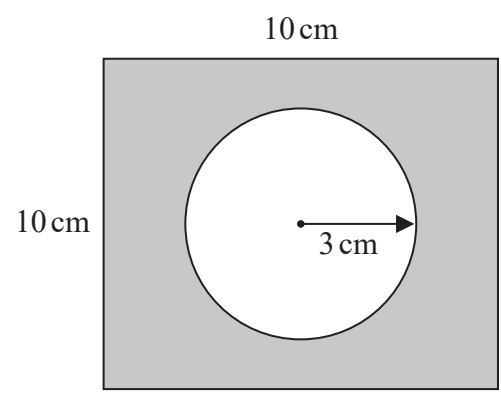


DO NOT WRITE IN THIS AREA

DO NOT WRITE IN THIS AREA

DO NOT WRITE IN THIS AREA

17 This shaded shape is made by cutting a circle out of a square.



The square has sides of length 10 cm.  
The circle has radius 3 cm.

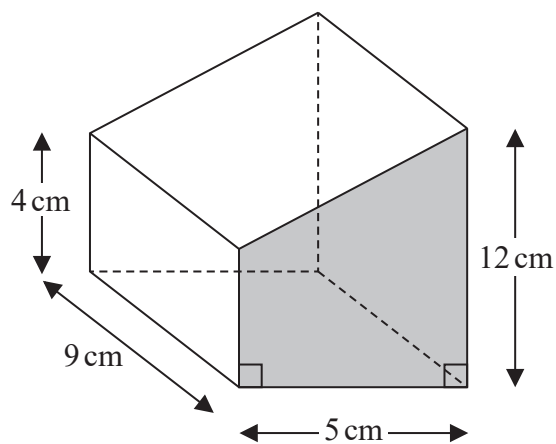
Work out the area of the shaded shape.

.....cm<sup>2</sup>

(Total for Question 17 is 4 marks)



18 Here is a prism.



(i) Work out the area of the shaded face.

.....cm<sup>2</sup>

(ii) Work out the volume of the prism.

.....cm<sup>3</sup>

(Total for Question 18 is 4 marks)

**TOTAL FOR SECTION A IS 50 MARKS**



DO NOT WRITE IN THIS AREA

DO NOT WRITE IN THIS AREA

DO NOT WRITE IN THIS AREA

**BLANK PAGE**



P 6 6 3 2 2 A 0 1 1 1 2

DO NOT WRITE IN THIS AREA

DO NOT WRITE IN THIS AREA

DO NOT WRITE IN THIS AREA

**BLANK PAGE**

