

Write your name here

Surname

Other names

Pearson
Edexcel Award

Centre Number

--	--	--	--	--	--

Candidate Number

--	--	--	--	--

Number and Measure

Level 2

Section A (Calculator)

Thursday 8 May 2014 – Morning

Time: 1 hour

Paper Reference

ANM20/2A

You must have: Ruler graduated in centimetres and millimetres, protractor, pen, HB pencil, eraser, calculator.

Total Marks

Instructions

- Use **black** ink or ball-point pen.
- **Fill in the boxes** at the top of this page with your name, centre number and candidate number.
- Answer **all** questions.
- Answer the questions in the spaces provided – *there may be more space than you need.*
- **Calculators may be used.**
- If your calculator does not have a π button, take the value of π to be 3.142 unless the question instructs otherwise.



Information

- The total mark for this section is 50
- The marks for **each** question are shown in brackets – *use this as a guide as to how much time to spend on each question.*

Advice

- Read each question carefully before you start to answer it.
- Keep an eye on the time.
- Try to answer every question.
- Check your answers if you have time at the end.

Turn over ►

P43626A

©2014 Pearson Education Ltd.

5/5/5/



PEARSON

Section A

Answer ALL questions.

Write your answers in the spaces provided.

You must write down all stages in your working.

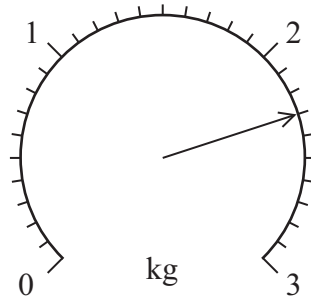
1 (a)



Write down the number marked with the arrow.

.....
(1)

(b)



Write down the number marked with the arrow.

.....
(1)

(Total for Question 1 is 2 marks)

2 (a) Work out 6.5×1.52

.....
(1)

**(b) Work out $£100 \div 6$
Give your answer to the nearest penny.**

£
(2)

(Total for Question 2 is 3 marks)



3 (a) Work out $-16 \div -4$

.....
(1)

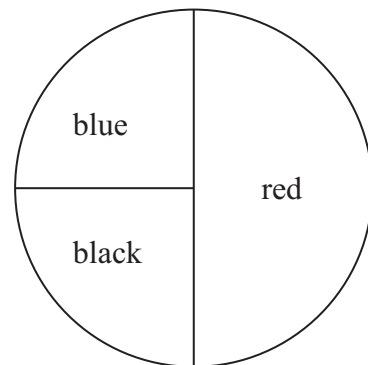
(b) Work out $-2 - -3$

.....
(1)

(Total for Question 3 is 2 marks)

4 In a box there are 12 pens.
There are blue pens, black pens and red pens.
The pie chart shows information about the
number of pens of each colour.

How many red pens are there?



.....
(Total for Question 4 is 2 marks)



5 Sally pays 6% National Insurance on the money she earns.

One month she earns £2500

Work out how much National Insurance she pays.

£

(Total for Question 5 is 2 marks)

6 (a) Find the value of 3.5^2

.....
(1)

(b) Find the value of $\sqrt{6.76}$

.....
(1)

(c) Work out the value of $3^3 \times 2^2$

.....
(2)

(Total for Question 6 is 4 marks)



7 Jake invests £500 for 4 years simple interest at a rate of 3% per year.

Work out the total amount of simple interest at the end of the 4 years.

£

(Total for Question 7 is 3 marks)

8 Change €360 into £ using the exchange rate of £1 = €1.20

£

(Total for Question 8 is 2 marks)

9 Change 4 gallons into litres.
(1 gallon = 4.5 litres)

..... litres

(Total for Question 9 is 2 marks)



10 Find the volume of this cuboid.

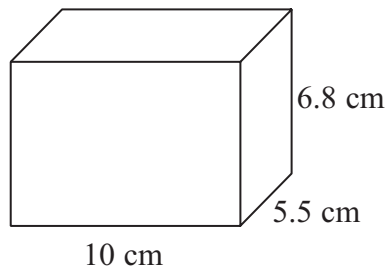


Diagram **NOT**
accurately drawn

..... cm³

(Total for Question 10 is 2 marks)

11 Saheen is paid £9.50 per hour for the first 25 hours that he works.
He is paid overtime at 1.5 times the rate per hour.

One week Saheen works for 30 hours.
He pays £61.70 tax and £14.80 National Insurance.

Work out Saheen's pay after these deductions.

£

(Total for Question 11 is 4 marks)



12 Work out the area of this shape.

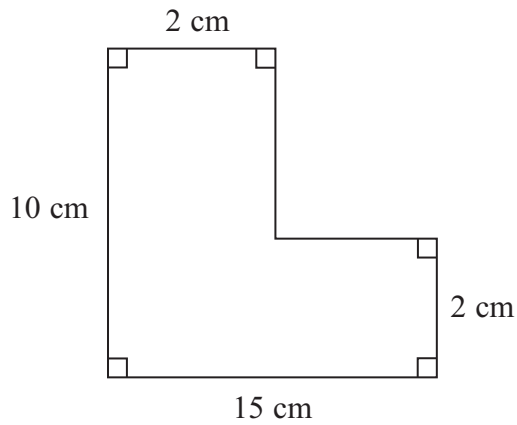


Diagram **NOT** accurately drawn

..... cm²

(Total for Question 12 is 3 marks)

13 Work out $6\frac{1}{2} \div 1\frac{3}{4}$

.....

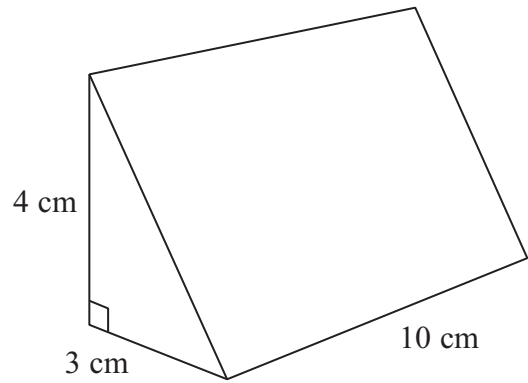
(Total for Question 13 is 2 marks)



14 Here is a triangular prism.

Work out the volume of the prism.

Diagram **NOT**
accurately drawn



.....
(Total for Question 14 is 4 marks)

15 A semicircle has a diameter of 8 cm.

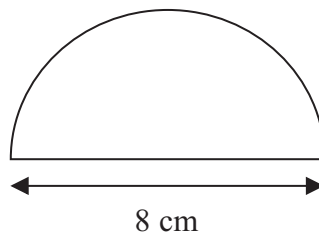


Diagram **NOT**
accurately drawn

Work out the perimeter of the semicircle.

..... cm

(Total for Question 15 is 3 marks)



16 A man's weight was 160 pounds.
Now his weight is 140 pounds.

What is the percentage decrease in his weight?

.....%

(Total for Question 16 is 3 marks)

17 Find the Lowest Common Multiple (LCM) of 15 and 80

.....

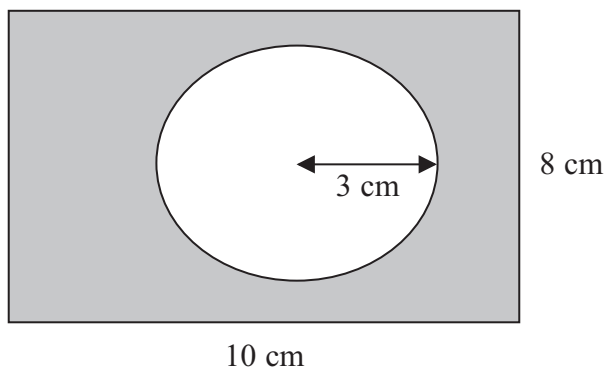
(Total for Question 17 is 3 marks)



18 A shape, shown shaded in the diagram, is made by cutting a circle out of a rectangle.

Work out the area of the shape.

Diagram **NOT**
accurately drawn



..... cm²

(Total for Question 18 is 4 marks)

TOTAL FOR SECTION A IS 50 MARKS



BLANK PAGE



BLANK PAGE



Write your name here

Surname

Other names

Pearson
Edexcel Award

Centre Number

--	--	--	--	--

Candidate Number

--	--	--	--

Number and Measure

Level 2

Section B (Non-Calculator)

Thursday 8 May 2014 – Morning

Time: 30 minutes

Paper Reference

ANM20/2B

You must have: Ruler graduated in centimetres and millimetres, protractor, pen, HB pencil, eraser.

Total Marks



Instructions

- Use **black** ink or ball-point pen.
- **Fill in the boxes** at the top of this page with your name, centre number and candidate number.
- Answer **all** questions.
- Answer the questions in the spaces provided – *there may be more space than you need.*
- **Calculators must not be used.**

Information

- The total mark for this section is 30
- The total mark for this paper is 80
- The marks for **each** question are shown in brackets – *use this as a guide as to how much time to spend on each question.*

Advice

- Read each question carefully before you start to answer it.
- Keep an eye on the time.
- Try to answer every question.
- Check your answers if you have time at the end.

Turn over ►

P43627A

©2014 Pearson Education Ltd.

5/5



PEARSON

Section B

Answer ALL questions.

Write your answers in the spaces provided.

You must write down all stages in your working.

You must NOT use a calculator for this section.

- 1** Write these numbers in order of size.
Start with the smallest number.

-2 3 5 1 -5 -3 -1

.....
(Total for Question 1 is 1 mark)

- 2** (a) Work out $5 + 2.37 - 0.001$

.....
(2)

- (b) Work out 14.32×8

.....
(2)

(Total for Question 2 is 4 marks)



3 Which is bigger, $\frac{1}{3}$ of 30 grams or $\frac{1}{5}$ of 60 grams?

.....
(Total for Question 3 is 2 marks)

4 (a) Work out $2\frac{7}{8} - 2\frac{1}{4}$

.....
(2)

(b) Work out $\frac{3}{5} \times \frac{1}{4}$

.....
(1)

(Total for Question 4 is 3 marks)



5 Write 40p as a fraction of £5

Give your answer in its simplest form.

.....

(Total for Question 5 is 2 marks)

6 There are 12 red apples and 16 green apples in a box.

Write as a ratio the number of red apples to the number of green apples.
Give your answer in its simplest form.

.....

(Total for Question 6 is 2 marks)

7 8 pencils of the same type cost £1.20

What is the cost of 9 pencils of this type?

.....

(Total for Question 7 is 3 marks)



- 8 The price of a television is £500
In a sale the price is reduced by 20%

What is the price of the television in the sale?

£

(Total for Question 8 is 3 marks)

- 9 Write 30 as a percentage of 150

..... %

(Total for Question 9 is 2 marks)

- 10 Work out an estimate for the value of $\frac{19.3 \times 31.4}{0.49}$

.....

(Total for Question 10 is 3 marks)



11 Divide 80 in the ratio 2 : 3

.....
(Total for Question 11 is 2 marks)

12 Work out $3\frac{1}{3} + 1\frac{1}{4}$

.....
(Total for Question 12 is 3 marks)

TOTAL FOR SECTION B IS 30 MARKS
TOTAL FOR PAPER IS 80 MARKS



BLANK PAGE



BLANK PAGE

