

Please check the examination details below before entering your candidate information

Candidate surname

Other names

Pearson
Edexcel Award

Centre Number

--	--	--	--	--

Candidate Number

--	--	--	--	--

Tuesday 7 January 2020

Morning (Time: 1 hour)

Paper Reference **ANM20/2A**

Number and Measure

Level 2

Section A (Calculator)

You must have: Ruler graduated in centimetres and millimetres, protractor, pen, HB pencil, eraser, calculator.

Total Marks

Instructions

- Use **black** ink or ball-point pen.
- **Fill in the boxes** at the top of this page with your name, centre number and candidate number.
- Answer **all** questions.
- Answer the questions in the spaces provided – *there may be more space than you need.*
- **Calculators may be used.**
- If your calculator does not have a π button, take the value of π to be 3.142 unless the question instructs otherwise.



Information

- The total mark for this section is 50
- The marks for **each** question are shown in brackets – *use this as a guide as to how much time to spend on each question.*

Advice

- Read each question carefully before you start to answer it.
- Keep an eye on the time.
- Try to answer every question.
- Check your answers if you have time at the end.

Turn over ►

P63048A

©2020 Pearson Education Ltd.

1/1/1/1/1/




Pearson

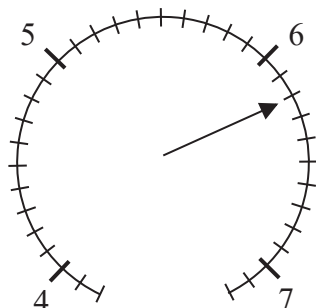
Section A

Answer ALL questions.

Write your answers in the spaces provided.

You must write down all the stages in your working.

1 (a)



Write down the number marked with the arrow.

.....
(1)

(b)



Write down the number marked with the arrow.

.....
(1)

(Total for Question 1 is 2 marks)

2 (a) Work out $-30 \div -6$

.....
(1)

(b) Work out $(8 - 6) - 5$

.....
(1)

(c) Work out $-4 - -8$

.....
(1)

(Total for Question 2 is 3 marks)

DO NOT WRITE IN THIS AREA

DO NOT WRITE IN THIS AREA

DO NOT WRITE IN THIS AREA



3 (a) Work out 7.8×5.04

.....
(1)

(b) Write 28.2683 correct to 2 decimal places.

.....
(1)

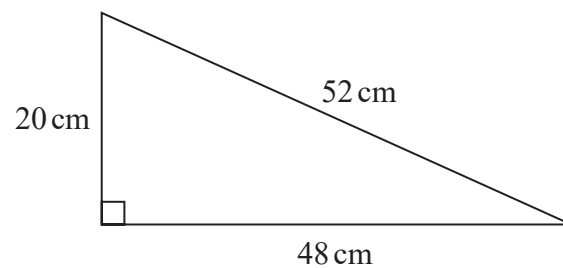
(Total for Question 3 is 2 marks)

4 Change 7.5 kg into pounds.
(1 kg = 2.2 pounds)

..... pounds

(Total for Question 4 is 2 marks)

5



Work out the perimeter of this triangle.

..... cm

(Total for Question 5 is 2 marks)



6 (a) Find the value of 25^3

.....
(1)

(b) Find the value of $\sqrt{441}$

.....
(1)

(c) Work out the value of $3^4 \times 4^3$

.....
(2)

(Total for Question 6 is 4 marks)

7 Work out 15% of 600

.....
(Total for Question 7 is 2 marks)

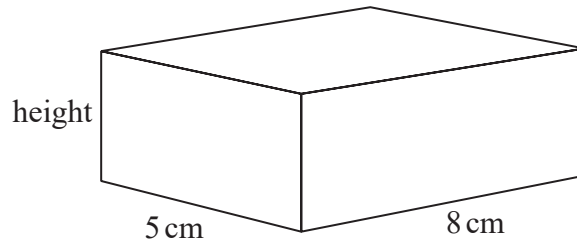
8 Change 286 Croatian kuna into pounds (£).
Use an exchange rate of $\text{£}1 = 8$ Croatian kuna.

£.....

(Total for Question 8 is 2 marks)



9 Here is a cuboid.



The volume of the cuboid is 160 cm^3 .

Work out the height of the cuboid.

..... cm

(Total for Question 9 is 2 marks)

10 Last week Rami worked for 40 hours at £10.80 per hour.
He also worked 5 hours overtime at £16.20 per hour.

His deductions were

National Insurance	£26.65
Income Tax	£102.60

Work out Rami's total pay after these deductions.

£.....

(Total for Question 10 is 4 marks)

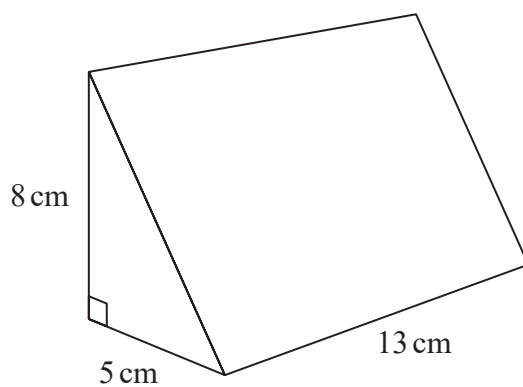


11 Work out $4\frac{1}{2} \div 1\frac{1}{4}$

.....
(Total for Question 11 is 2 marks)

12 Here is a triangular prism.

Work out the volume of the prism.



..... cm³

(Total for Question 12 is 3 marks)

13 Find the Highest Common Factor (HCF) of 24 and 90

.....
(Total for Question 13 is 3 marks)



DO NOT WRITE IN THIS AREA

DO NOT WRITE IN THIS AREA

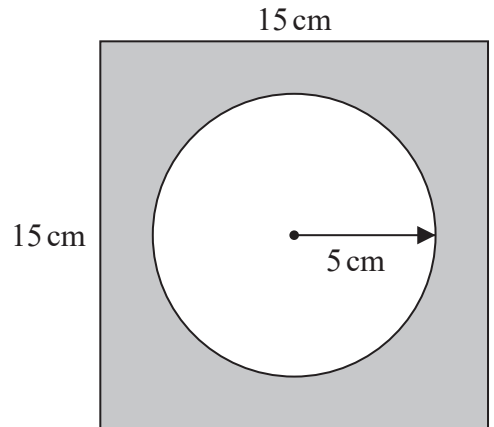
DO NOT WRITE IN THIS AREA

14 Derek invests £1200 for 3 years in an account paying simple interest at a rate of 2% per year.
Work out the total amount of simple interest paid to Derek by the end of the 3 years.

£.....

(Total for Question 14 is 3 marks)

15 This shaded shape is made by cutting a circle out of a square.



The square has sides of length 15 cm.
The circle has radius 5 cm.

Work out the area of the shaded shape.

..... cm²

(Total for Question 15 is 4 marks)



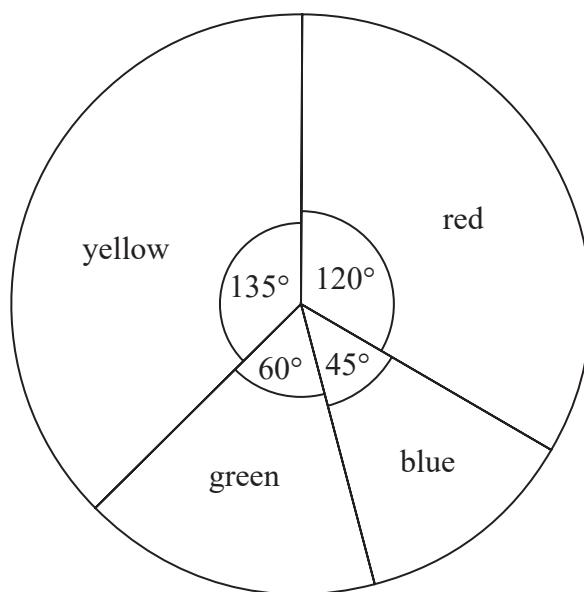
- 16 The price of Graham's rail season ticket for his journey to work in 2018 was £2200
The price of Graham's rail season ticket for his same journey to work in 2019 was £2266

What is the percentage increase in the price of Graham's rail season ticket?

.....%

(Total for Question 16 is 3 marks)

- 17 Sally has counters which are red, blue, green or yellow.
The students in Sally's class were asked to choose which of these colours they liked best.
Here is Sally's pie chart of the results.



Complete the frequency table.

Colour	Frequency
red	16
blue	6
green	
yellow	

(Total for Question 17 is 3 marks)

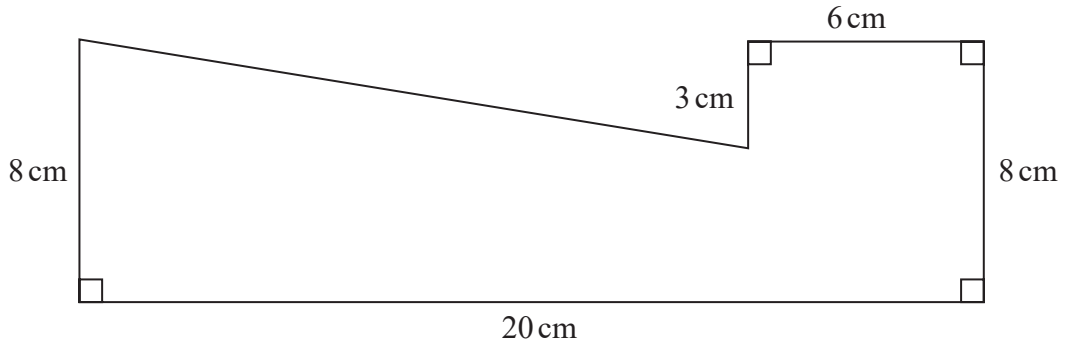


DO NOT WRITE IN THIS AREA

DO NOT WRITE IN THIS AREA

DO NOT WRITE IN THIS AREA

18 Work out the area of this shape.



..... cm²

(Total for Question 18 is 4 marks)

TOTAL FOR SECTION A IS 50 MARKS



DO NOT WRITE IN THIS AREA

DO NOT WRITE IN THIS AREA

DO NOT WRITE IN THIS AREA

BLANK PAGE



DO NOT WRITE IN THIS AREA

DO NOT WRITE IN THIS AREA

DO NOT WRITE IN THIS AREA

BLANK PAGE



DO NOT WRITE IN THIS AREA

DO NOT WRITE IN THIS AREA

DO NOT WRITE IN THIS AREA

BLANK PAGE



Please check the examination details below before entering your candidate information

Candidate surname

Other names

Pearson
Edexcel Award

Centre Number

--	--	--	--	--

Candidate Number

--	--	--	--	--

Tuesday 7 January 2020

Morning (Time: 30 minutes)

Paper Reference **ANM20/2B**

Number and Measure

Level 2

Section B (Non-Calculator)

You must have: Ruler graduated in centimetres and millimetres, protractor, pen, HB pencil, eraser.

Total Marks

Instructions

- Use **black** ink or ball-point pen.
- **Fill in the boxes** at the top of this page with your name, centre number and candidate number.
- Answer **all** questions.
- Answer the questions in the spaces provided – *there may be more space than you need.*
- **Calculators must not be used.**



Information

- The total mark for this section is 30
- The total mark for this paper is 80
- The marks for **each** question are shown in brackets – *use this as a guide as to how much time to spend on each question.*

Advice

- Read each question carefully before you start to answer it.
- Keep an eye on the time.
- Try to answer every question.
- Check your answers if you have time at the end.

Turn over ►

P63049A

©2020 Pearson Education Ltd.

1/1/1/1/



Pearson

Section B

Answer ALL questions.

Write your answers in the spaces provided.

You must write down all the stages in your working.

You must NOT use a calculator for this section.

- 1 Write these numbers in order of size.

Start with the smallest number.

-5 6 -3 3 5 -4 -1

.....
(Total for Question 1 is 1 mark)

- 2 (a) Work out $7.6 + 62.35 + 470 - 16.83$

.....
(2)

- (b) Work out 26.53×7

.....
(2)

(Total for Question 2 is 4 marks)

DO NOT WRITE IN THIS AREA

DO NOT WRITE IN THIS AREA

DO NOT WRITE IN THIS AREA



DO NOT WRITE IN THIS AREA

DO NOT WRITE IN THIS AREA

DO NOT WRITE IN THIS AREA

3 Write 17 as a fraction of 30

.....

(Total for Question 3 is 1 mark)

4 8 identical tins of cat food cost £2.40

What is the cost of 9 of these tins of cat food?

.....

(Total for Question 4 is 3 marks)

5 Divide 132 in the ratio 4:7

.....

(Total for Question 5 is 2 marks)



- 6 In one day, a vet sees 24 dogs and 16 cats.

Write as a ratio the number of dogs to the number of cats.
Give your answer in its simplest form.

.....
(Total for Question 6 is 2 marks)

- 7 Which is larger

$$\frac{2}{3} \text{ of } 69 \quad \text{or} \quad \frac{1}{4} \text{ of } 192?$$

You must show your working.

.....
(Total for Question 7 is 3 marks)

- 8 The price of a cabinet is £160
In a sale, the price is reduced by 15%.

Work out the price of the cabinet in the sale.

£.....

(Total for Question 8 is 3 marks)



9 (a) Work out $3\frac{1}{6} + 3\frac{5}{12}$

.....
(2)

(b) Work out $\frac{7}{9} \times \frac{2}{5}$

.....
(1)

(Total for Question 9 is 3 marks)

10 Work out an estimate that could be used to check the value of

$$\frac{31.3 \times 19.7}{0.48}$$

.....
(Total for Question 10 is 3 marks)



11 Write 210 as a percentage of 600

.....%

(Total for Question 11 is 2 marks)

12 Work out $4\frac{5}{8} - 1\frac{1}{5}$

Give your answer as a mixed number in its simplest form.

.....

(Total for Question 12 is 3 marks)

TOTAL FOR SECTION B IS 30 MARKS
TOTAL FOR PAPER IS 80 MARKS

DO NOT WRITE IN THIS AREA

DO NOT WRITE IN THIS AREA

DO NOT WRITE IN THIS AREA



DO NOT WRITE IN THIS AREA

DO NOT WRITE IN THIS AREA

DO NOT WRITE IN THIS AREA

BLANK PAGE



DO NOT WRITE IN THIS AREA

DO NOT WRITE IN THIS AREA

DO NOT WRITE IN THIS AREA

BLANK PAGE

