

Please check the examination details below before entering your candidate information

Candidate surname

Other names

**Pearson**  
**Edexcel Award**

Centre Number

--	--	--	--	--

Candidate Number

--	--	--	--	--

**Tuesday 8 January 2019**

Morning (Time: 1 hour)

Paper Reference **ANM20/2A**

**Number and Measure**

**Level 2**

**Section A (Calculator)**

**You must have:** Ruler graduated in centimetres and millimetres, protractor, pen, HB pencil, eraser, calculator.

Total Marks

### Instructions

- Use **black** ink or ball-point pen.
- **Fill in the boxes** at the top of this page with your name, centre number and candidate number.
- Answer **all** questions.
- Answer the questions in the spaces provided – *there may be more space than you need.*
- **Calculators may be used.**
- If your calculator does not have a  $\pi$  button, take the value of  $\pi$  to be 3.142 unless the question instructs otherwise.



### Information

- The total mark for this section is 50
- The marks for **each** question are shown in brackets – *use this as a guide as to how much time to spend on each question.*

### Advice

- Read each question carefully before you start to answer it.
- Keep an eye on the time.
- Try to answer every question.
- Check your answers if you have time at the end.

Turn over ►

P59982A

©2019 Pearson Education Ltd.

6/6/6/1/



  
**Pearson**

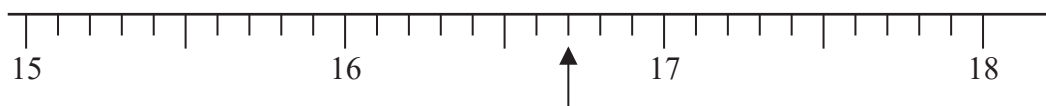
Section A

Answer ALL questions.

Write your answers in the spaces provided.

You must write down all the stages in your working.

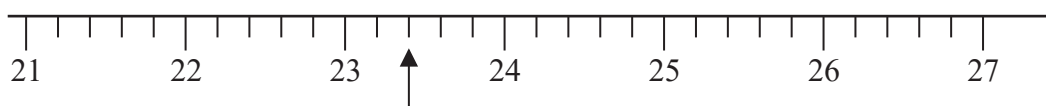
1 (a)



Write down the number marked with the arrow.

.....  
(1)

(b)



Write down the number marked with the arrow.

.....  
(1)

(Total for Question 1 is 2 marks)

2 (a) Find the value of  $28^2$

.....  
(1)

(b) Find the value of  $\sqrt{256}$

.....  
(1)

(c) Work out the value of  $\sqrt{10^2 - 8^2}$

.....  
(2)

(Total for Question 2 is 4 marks)

DO NOT WRITE IN THIS AREA

DO NOT WRITE IN THIS AREA

DO NOT WRITE IN THIS AREA



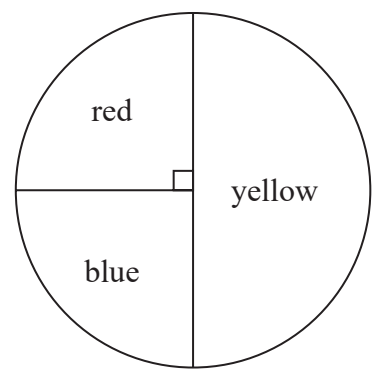
DO NOT WRITE IN THIS AREA

3 In a box there are 60 pens.  
There are blue pens, yellow pens and red pens.

The pie chart shows information about the number of pens of each colour.

There are more yellow pens than red pens.

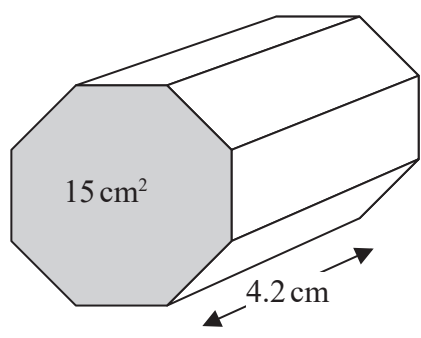
How many more?



.....

(Total for Question 3 is 2 marks)

4 Find the volume of this prism.



..... cm<sup>3</sup>

(Total for Question 4 is 2 marks)

5 Change £124 into dollars (\$) using the exchange rate of £1 = \$1.36

\$ .....

(Total for Question 5 is 2 marks)

DO NOT WRITE IN THIS AREA

DO NOT WRITE IN THIS AREA



6 (a) Work out  $+24 \div -6$

.....  
(1)

(b) Work out  $-5 - -8$

.....  
(1)

**(Total for Question 6 is 2 marks)**

7 (a) Work out  $5.9 \times 3.88$

.....  
(1)

(b) Work out  $\pounds 150 \div 7$   
Give your answer to the nearest penny.

£ .....  
(2)

**(Total for Question 7 is 3 marks)**

8 Adam pays 6% National Insurance on the money he earns.  
One month he earns  $\pounds 4000$

Work out how much National Insurance he pays.

£ .....

**(Total for Question 8 is 2 marks)**



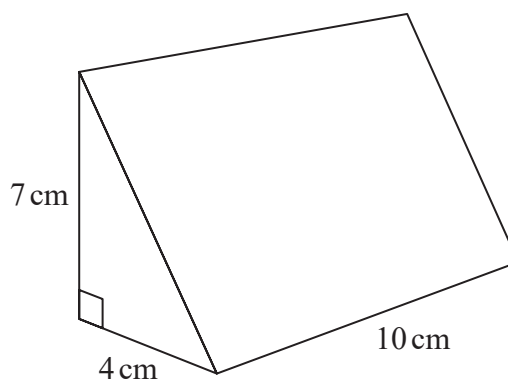
DO NOT WRITE IN THIS AREA

DO NOT WRITE IN THIS AREA

DO NOT WRITE IN THIS AREA

9 Here is a triangular prism.

Work out the volume of the prism.



..... cm<sup>3</sup>

**(Total for Question 9 is 3 marks)**

10 Tina is paid a basic hourly rate of £8.50 per hour for the first 28 hours that she works. When she works overtime, her overtime rate is 1.5 times her basic hourly rate.

One week Tina worked for 36 hours.

She paid £64.50 tax and £22.15 National Insurance on what she earned for the week.

Work out Tina's pay for the week, after these deductions have been made.

£ .....

**(Total for Question 10 is 4 marks)**



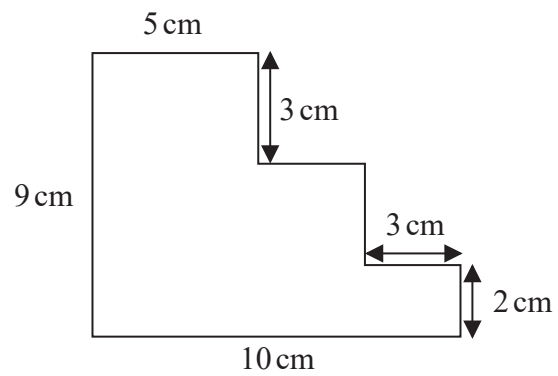
11 Find the Lowest Common Multiple (LCM) of 18 and 60

(Total for Question 11 is 3 marks)

12 Here is a shape.

All the corners are right angles.

Work out the area of this shape.



..... cm<sup>2</sup>

(Total for Question 12 is 4 marks)



DO NOT WRITE IN THIS AREA

DO NOT WRITE IN THIS AREA

DO NOT WRITE IN THIS AREA

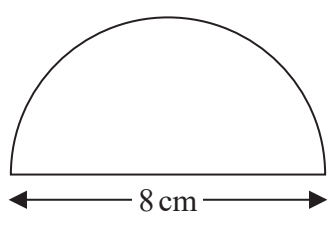
13 John invests £600 for 3 years in an account paying simple interest at a rate of  $2\frac{1}{2}\%$  per year.

Work out the total amount of simple interest paid to John by the end of the 3 years.

£ .....

(Total for Question 13 is 3 marks)

14 A semicircle has a diameter of 8 cm.



Work out the perimeter of the semicircle.

..... cm

(Total for Question 14 is 3 marks)



DO NOT WRITE IN THIS AREA

15 Change 160 kilometres into miles.  
(5 miles = 8 kilometres)

..... miles

(Total for Question 15 is 2 marks)

16 Work out  $7\frac{3}{4} \div 6\frac{1}{5}$

.....

(Total for Question 16 is 2 marks)

17 The number of visitors to a castle in August was 2150  
The number of visitors to the castle in September was 1634

What is the percentage decrease in the number of visitors to the castle?

..... %

(Total for Question 17 is 3 marks)

DO NOT WRITE IN THIS AREA

DO NOT WRITE IN THIS AREA



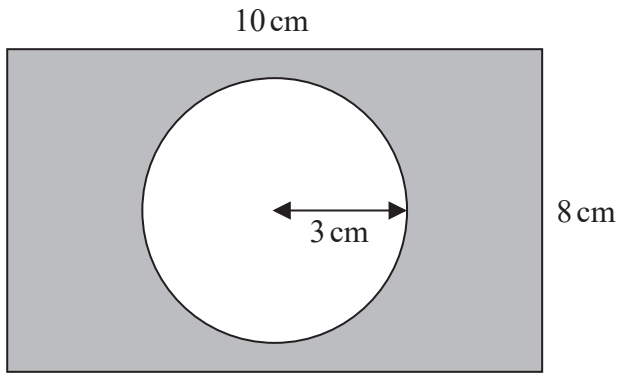


DO NOT WRITE IN THIS AREA

DO NOT WRITE IN THIS AREA

DO NOT WRITE IN THIS AREA

18 This shaded shape is made by cutting a circle out of a rectangle.



The rectangle has a length of 10 cm and a width of 8 cm.  
The circle has radius 3 cm.

Work out the area of the shaded shape.

..... cm<sup>2</sup>

(Total for Question 18 is 4 marks)

**TOTAL FOR SECTION A IS 50 MARKS**



DO NOT WRITE IN THIS AREA

DO NOT WRITE IN THIS AREA

DO NOT WRITE IN THIS AREA

**BLANK PAGE**



DO NOT WRITE IN THIS AREA

DO NOT WRITE IN THIS AREA

DO NOT WRITE IN THIS AREA

**BLANK PAGE**



P 5 9 9 8 2 A 0 1 1 1 2

DO NOT WRITE IN THIS AREA

DO NOT WRITE IN THIS AREA

DO NOT WRITE IN THIS AREA

**BLANK PAGE**



Please check the examination details below before entering your candidate information

Candidate surname

Other names

**Pearson**  
**Edexcel Award**

Centre Number

Candidate Number

--	--	--	--	--

--	--	--	--	--

**Tuesday 8 January 2019**

Morning (Time: 30 minutes)

Paper Reference **ANM20/2B**

**Number and Measure**

**Level 2**

**Section B (Non-Calculator)**

**You must have:** Ruler graduated in centimetres and millimetres, protractor, pen, HB pencil, eraser.

Total Marks

### Instructions

- Use **black** ink or ball-point pen.
- **Fill in the boxes** at the top of this page with your name, centre number and candidate number.
- Answer **all** questions.
- Answer the questions in the spaces provided – *there may be more space than you need.*
- **Calculators must not be used.**



### Information

- The total mark for this section is 30
- The total mark for this paper is 80
- The marks for **each** question are shown in brackets – *use this as a guide as to how much time to spend on each question.*

### Advice

- Read each question carefully before you start to answer it.
- Keep an eye on the time.
- Try to answer every question.
- Check your answers if you have time at the end.

Turn over ►

P59981A

©2019 Pearson Education Ltd.

6/6/1/



Pearson

## Section B

Answer ALL questions.

Write your answers in the spaces provided.

You must write down all the stages in your working.

You must NOT use a calculator for this section.

- 1 Write these numbers in order of size.

Start with the smallest number.

-5    2    7    4    -7    -1    -4

.....  
(Total for Question 1 is 1 mark)

- 2 (a) Work out  $206 + 43.62 - 12.7 - 30$

.....  
(2)

- (b) Work out  $43.89 \times 6$

.....  
(2)

(Total for Question 2 is 4 marks)

DO NOT WRITE IN THIS AREA

DO NOT WRITE IN THIS AREA

DO NOT WRITE IN THIS AREA



DO NOT WRITE IN THIS AREA

DO NOT WRITE IN THIS AREA

DO NOT WRITE IN THIS AREA

3 There are 12 cups and 30 mugs in a cupboard.

Write as a ratio the number of cups to the number of mugs.  
Give your answer in its simplest form.

.....

(Total for Question 3 is 2 marks)

4 Write 40p as a fraction of £5  
Give your answer in its simplest form.

.....

(Total for Question 4 is 2 marks)

5 Divide 560 in the ratio 3:5

.....

(Total for Question 5 is 2 marks)



- 6 The price of a vase is £80  
In a sale, the price is reduced by 35%.

What is the price of the vase in the sale?

£ .....

(Total for Question 6 is 3 marks)

- 7 (a) Work out  $4\frac{7}{8} - 4\frac{1}{4}$

.....  
(2)

- (b) Work out  $\frac{3}{5} \times \frac{9}{11}$

.....  
(1)

(Total for Question 7 is 3 marks)





DO NOT WRITE IN THIS AREA

DO NOT WRITE IN THIS AREA

DO NOT WRITE IN THIS AREA

8 6 memory sticks of the same type cost £54  
What is the cost of 11 of these memory sticks?

£ .....

(Total for Question 8 is 3 marks)

9 Which is bigger,  $\frac{1}{5}$  of 175 or  $\frac{3}{4}$  of 48?

You must show all your working.

.....  
(Total for Question 9 is 3 marks)



10 Work out an estimate that could be used to check the value of

$$\frac{47.8 \times 71.9}{12.2}$$

.....  
(Total for Question 10 is 2 marks)

11 Write 405 as a percentage of 900

..... %  
(Total for Question 11 is 2 marks)



DO NOT WRITE IN THIS AREA

DO NOT WRITE IN THIS AREA

DO NOT WRITE IN THIS AREA

12 Work out  $2\frac{2}{5} + 3\frac{1}{4}$

Give your answer as a mixed number in its simplest form.

.....  
(Total for Question 12 is 3 marks)

---

**TOTAL FOR SECTION B IS 30 MARKS**  
**TOTAL FOR PAPER IS 80 MARKS**



DO NOT WRITE IN THIS AREA

DO NOT WRITE IN THIS AREA

DO NOT WRITE IN THIS AREA

**BLANK PAGE**

