

Write your name here

Surname

Other names

Pearson
Edexcel Award

Centre Number

--	--	--	--	--

Candidate Number

--	--	--	--

Number and Measure
Level 2
Section A (Calculator)

Tuesday 10 January 2017 – Morning
Time: 1 hour

Paper Reference

ANM20/2A

You must have: Ruler graduated in centimetres and millimetres, protractor, pen, HB pencil, eraser, calculator.

Total Marks



Instructions

- Use **black** ink or ball-point pen.
- **Fill in the boxes** at the top of this page with your name, centre number and candidate number.
- Answer **all** questions.
- Answer the questions in the spaces provided – *there may be more space than you need.*
- **Calculators may be used.**
- If your calculator does not have a π button, take the value of π to be 3.142 unless the question instructs otherwise.

Information

- The total mark for this section is 50
- The marks for **each** question are shown in brackets – *use this as a guide as to how much time to spend on each question.*

Advice

- Read each question carefully before you start to answer it.
- Keep an eye on the time.
- Try to answer every question.
- Check your answers if you have time at the end.

Turn over ►

P48336A

©2017 Pearson Education Ltd.

6/6




Pearson

Section A

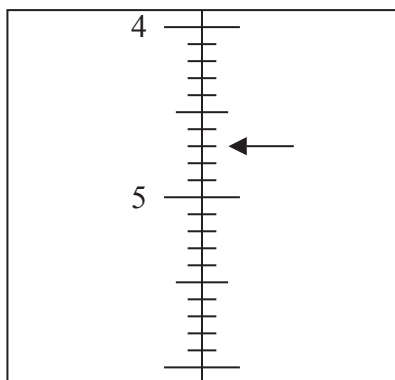
Answer ALL questions.

Write your answers in the spaces provided.

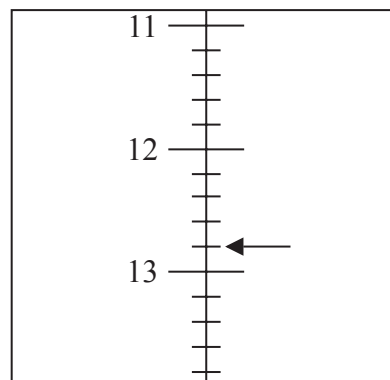
You must write down all the stages in your working.

1 Write down the numbers marked with arrows.

(i)



(ii)



.....

.....

(Total for Question 1 is 2 marks)

2 (a) Find the value of 27^2

.....

(1)

(b) Find the value of $\sqrt{225}$

.....

(1)

(c) Work out the value of $3^2 \times 5^3$

.....

(2)

(Total for Question 2 is 4 marks)

DO NOT WRITE IN THIS AREA

DO NOT WRITE IN THIS AREA

DO NOT WRITE IN THIS AREA



3 (a) Work out $-24 \div +8$

.....
(1)

(b) Work out $-4 - -9$

.....
(1)

(Total for Question 3 is 2 marks)

4 (a) Work out 7.4×8.96

.....
(1)

(b) Work out $\pounds 700 \div 6$
Give your answer to the nearest penny.

£.....
(2)

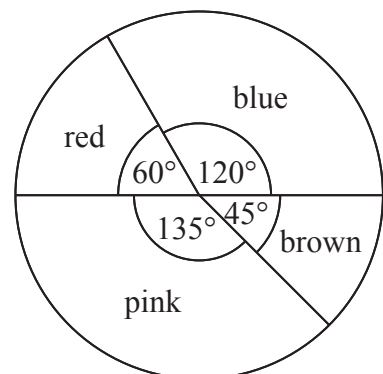
(Total for Question 4 is 3 marks)

5 In a box there are some counters.
There are red counters, blue counters,
pink counters and brown counters.

The pie chart shows information about the
number of counters of each colour.

There are 24 brown counters.

What is the total number of counters in the box?



.....
(Total for Question 5 is 2 marks)



6 Colin works for a company selling computers.

He gets paid £16.50 for each hour he works.

He also gets paid £25.50 for each computer he sells.

One week, Colin works for 25 hours and sells 12 computers.

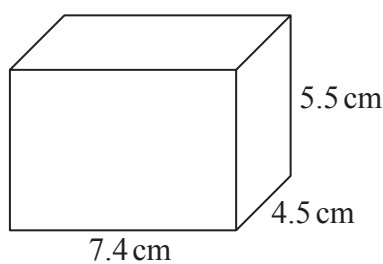
He pays £143.75 tax on what he earns for the week.

Work out Colin's total pay after the deduction of tax.

£.....

(Total for Question 6 is 4 marks)

7 Find the volume of this cuboid.



..... cm³

(Total for Question 7 is 2 marks)



8 Divide 902 in the ratio 5 : 6

.....

(Total for Question 8 is 2 marks)

9 Last year Kirum earned £14 000
She paid 6% National Insurance on this money.

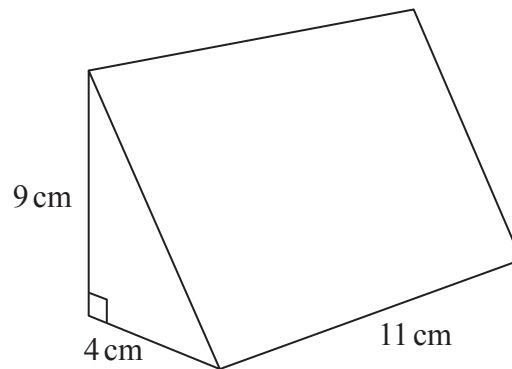
Work out how much National Insurance she paid.

£.....

(Total for Question 9 is 2 marks)

10 Here is a triangular prism.

Work out the volume of the prism.



..... cm³

(Total for Question 10 is 3 marks)



11 Work out $6\frac{3}{4} \div 5\frac{2}{5}$

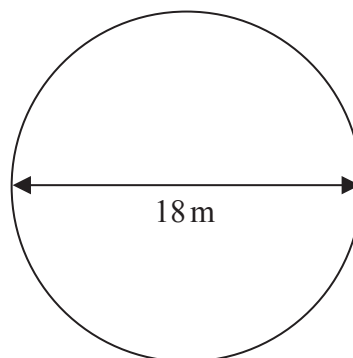
.....
(Total for Question 11 is 2 marks)

- 12 Lucas invests £600 for 4 years in an account paying simple interest at a rate of 3.5% per year.
Work out the total amount of simple interest paid to Lucas by the end of the 4 years.

£.....

(Total for Question 12 is 3 marks)

- 13 A circle has a diameter of 18 m.
Work out the circumference of the circle.



..... m

(Total for Question 13 is 3 marks)

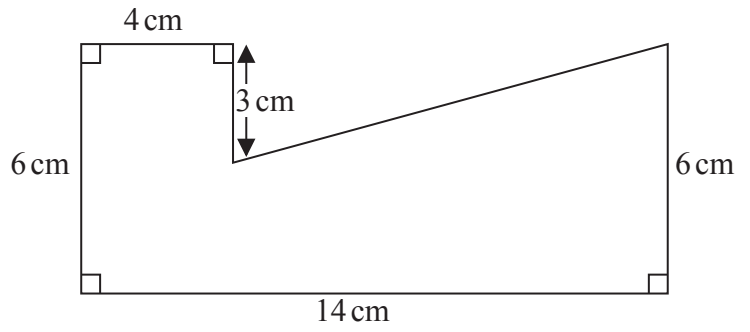


DO NOT WRITE IN THIS AREA

DO NOT WRITE IN THIS AREA

DO NOT WRITE IN THIS AREA

14 Work out the area of this shape.



..... cm²

(Total for Question 14 is 4 marks)

15 Change 143 pounds into kg.
(2.2 pounds = 1kg)

..... kg

(Total for Question 15 is 2 marks)



16 Find the Lowest Common Multiple (LCM) of 24 and 132

.....
(Total for Question 16 is 3 marks)

17 At a station, a record is kept of the number of trains that are late.

In November, the number of trains that were late was 120

In December, the number of trains that were late was 78

What is the percentage decrease in the number of trains that were late?

..... %
(Total for Question 17 is 3 marks)

DO NOT WRITE IN THIS AREA

DO NOT WRITE IN THIS AREA

DO NOT WRITE IN THIS AREA

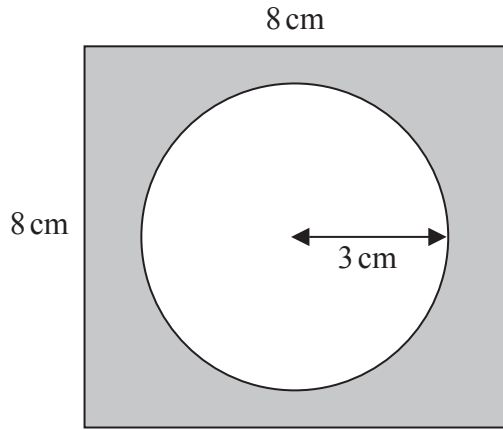


DO NOT WRITE IN THIS AREA

DO NOT WRITE IN THIS AREA

DO NOT WRITE IN THIS AREA

18 A shaded shape is made by cutting a circle out of a square.



The square has sides of length 8 cm.
The circle has radius 3 cm.

Work out the area of the shaded shape.

..... cm²

(Total for Question 18 is 4 marks)

TOTAL FOR SECTION A IS 50 MARKS



DO NOT WRITE IN THIS AREA

DO NOT WRITE IN THIS AREA

DO NOT WRITE IN THIS AREA

BLANK PAGE



DO NOT WRITE IN THIS AREA

DO NOT WRITE IN THIS AREA

DO NOT WRITE IN THIS AREA

BLANK PAGE



DO NOT WRITE IN THIS AREA

DO NOT WRITE IN THIS AREA

DO NOT WRITE IN THIS AREA

BLANK PAGE



Write your name here

Surname

Other names

Pearson
Edexcel Award

Centre Number

--	--	--	--	--

Candidate Number

--	--	--	--	--

Number and Measure
Level 2
Section B (Non-Calculator)

Tuesday 10 January 2017 – Morning
Time: 30 minutes

Paper Reference
ANM20/2B

You must have: Ruler graduated in centimetres and millimetres,
protractor, pen, HB pencil, eraser.

Total Marks



Instructions

- Use **black** ink or ball-point pen.
- **Fill in the boxes** at the top of this page with your name, centre number and candidate number.
- Answer **all** questions.
- Answer the questions in the spaces provided – *there may be more space than you need.*
- **Calculators must not be used.**

Information

- The total mark for this section is 30
- The total mark for this paper is 80
- The marks for **each** question are shown in brackets – *use this as a guide as to how much time to spend on each question.*

Advice

- Read each question carefully before you start to answer it.
- Keep an eye on the time.
- Try to answer every question.
- Check your answers if you have time at the end.

Turn over ►

P48334A

©2017 Pearson Education Ltd.

6/6/6/



Pearson

Section B

Answer ALL questions.

Write your answers in the spaces provided.

You must write down all the stages in your working.

You must NOT use a calculator for this section.

- 1 Write these numbers in order of size.
Start with the smallest number.

-7 3 9 4 -8 5 -2

.....
(Total for Question 1 is 1 mark)

- 2 (a) Work out $117 + 24.58 + 17.5 - 60$

.....
(2)

- (b) Work out 47.86×7

.....
(2)

(Total for Question 2 is 4 marks)

DO NOT WRITE IN THIS AREA

DO NOT WRITE IN THIS AREA

DO NOT WRITE IN THIS AREA



DO NOT WRITE IN THIS AREA

DO NOT WRITE IN THIS AREA

DO NOT WRITE IN THIS AREA

- 3 Each box of snowdrop bulbs in a shop costs the same.
6 of these boxes cost £54

What is the cost of 10 of these boxes?

£.....

(Total for Question 3 is 3 marks)

- 4 Write 40 centimetres as a fraction of 2 metres.
Give your answer in its simplest form.

.....

(Total for Question 4 is 2 marks)

- 5 Which is bigger, $\frac{3}{4}$ of 80 or $\frac{1}{5}$ of 280?

You must show all your working.

.....

(Total for Question 5 is 3 marks)



6 There are 21 pear trees and 35 apple trees in an orchard.

Write as a ratio the number of pear trees to the number of apple trees.
Give your answer in its simplest form.

.....

(Total for Question 6 is 2 marks)

7 Change £190 into Swiss Francs.
Use an exchange rate of £1 = 1.5 Swiss Francs.

.....Swiss Francs

(Total for Question 7 is 2 marks)

8 Work out an estimate that could be used to check the value of

$$\frac{69.6 \times 59.8}{12.1}$$

.....

(Total for Question 8 is 2 marks)



DO NOT WRITE IN THIS AREA

DO NOT WRITE IN THIS AREA

DO NOT WRITE IN THIS AREA

- 9 The price of a weekend break is £800
In a sale, the price is reduced by 15%

What is the price of the weekend break in the sale?

£.....

(Total for Question 9 is 3 marks)

- 10 (a) Work out $\frac{11}{12} - \frac{5}{6}$

.....
(2)

- (b) Work out $\frac{3}{5} \times \frac{2}{7}$

.....
(1)

(Total for Question 10 is 3 marks)



11 Write 560 as a percentage of 800

.....%

(Total for Question 11 is 2 marks)

12 Work out $1\frac{1}{5} \times 3\frac{1}{2}$

Give your answer as a mixed number in its simplest form.

.....
(Total for Question 12 is 3 marks)

TOTAL FOR SECTION B IS 30 MARKS
TOTAL FOR PAPER IS 80 MARKS

DO NOT WRITE IN THIS AREA

DO NOT WRITE IN THIS AREA

DO NOT WRITE IN THIS AREA



DO NOT WRITE IN THIS AREA

DO NOT WRITE IN THIS AREA

DO NOT WRITE IN THIS AREA

BLANK PAGE



DO NOT WRITE IN THIS AREA

DO NOT WRITE IN THIS AREA

DO NOT WRITE IN THIS AREA

BLANK PAGE

