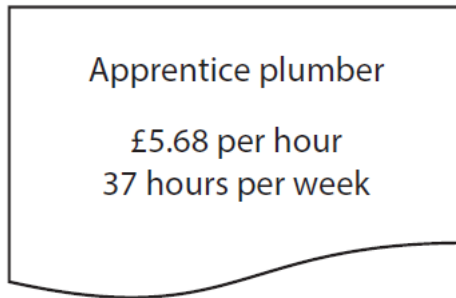


Functional Skills Maths | Level 2 Non-Calculator Scaffolded Paper 3

1. Prasha sees this advert for an apprenticeship.



Prasha will be paid for 52 weeks of the year.

She estimates that she will have an annual salary of £11,500.

a. Round £5.68.

b. Round 37.

c. Round 52.

d. Use your rounded figures to estimate Prasha's salary.

e. Is Prasha's estimate sensible?

2. Uditi wants to make a shoe tray.

The tray will hold rows of shoes.

She wants each row to hold 6 pairs of shoes.

Uditi measures the width of 5 pairs of her shoes.



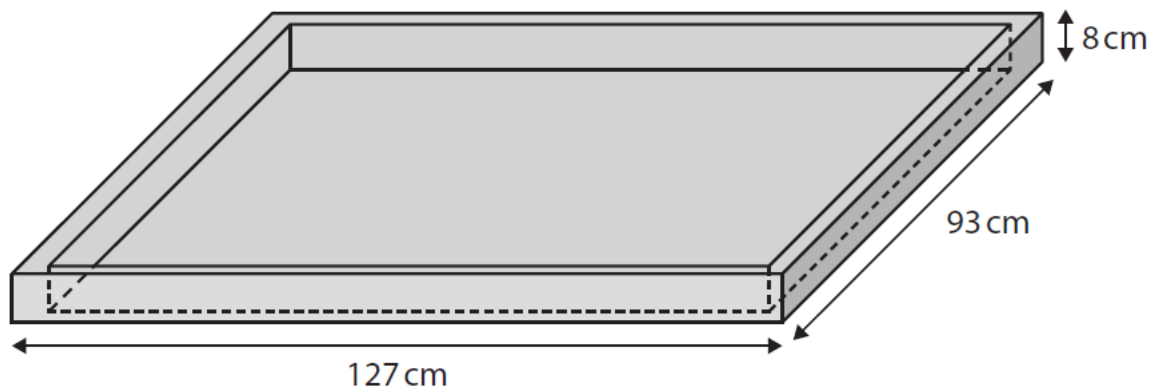
Here are the results in cm.

18.2 19.7 19.4 18.6 18.9

To find the total width of 6 pairs of shoes Uditi will multiply the median width of these shoes by 6.

The width of the base of the tray will need to be 10% more than the total width of the 6 pairs of shoes and have an extra 3 cm at each end of the tray for a frame.

Uditi draws this diagram of the largest shoe tray she can make with the wood she has.



Uditi thinks this can hold her 6 pairs of shoes in a row.

a. Find the median size of the five pairs of shoes.

b. Use the median to find the width of 6 pairs of shoes.

c. Find 10 % of the total width of the shoes.

d. Add this to the width of the 6 shoes.

e. Add the frame measurements to this total.

f. Is Udit correct? Why do you think this?